

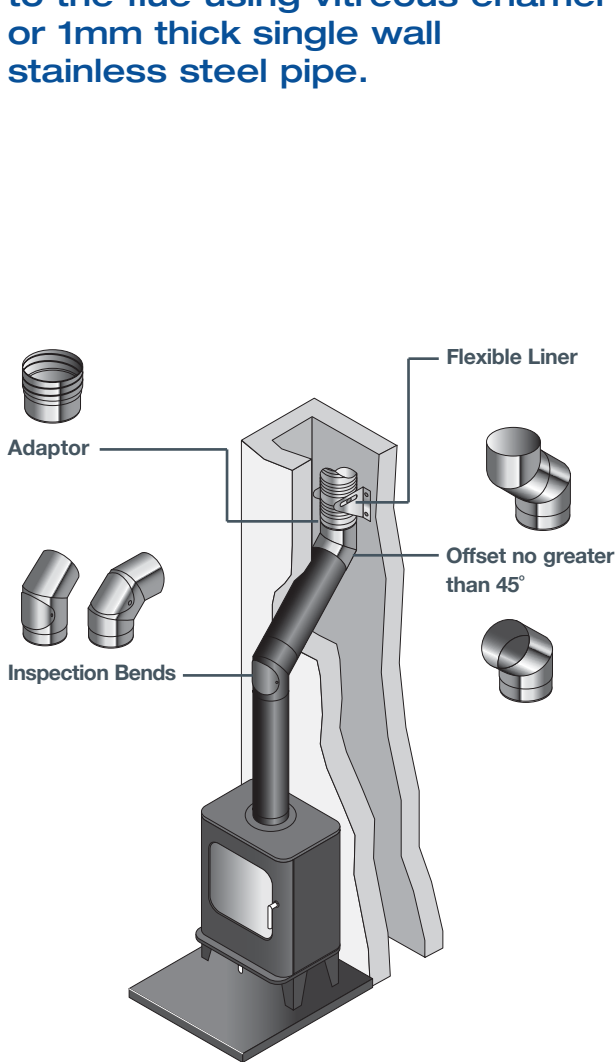
Installation Guidelines

for Wood Burning &
Multi Fuel Appliances

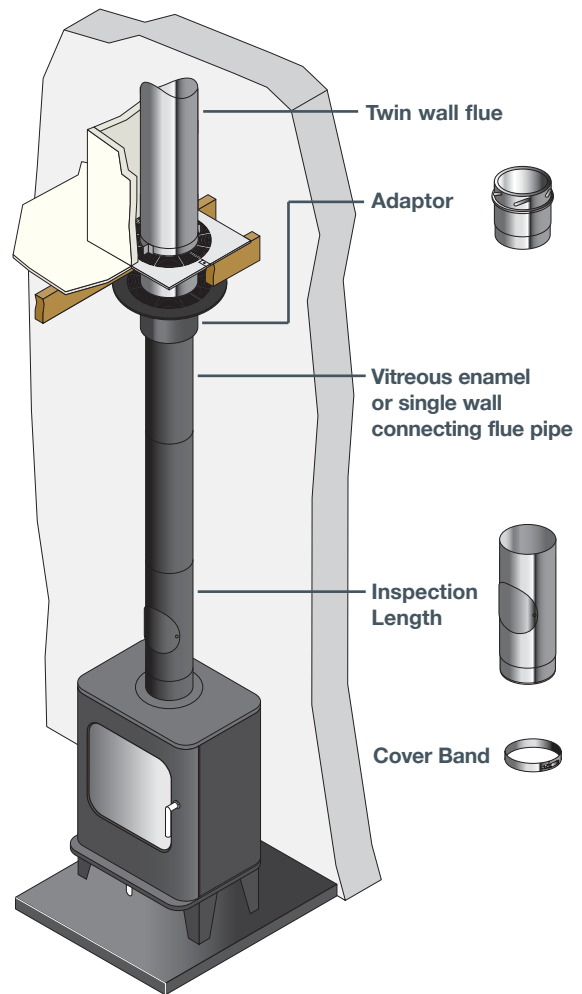
Wood Burning & Multi Fuel Stoves

Connecting Flue Pipe

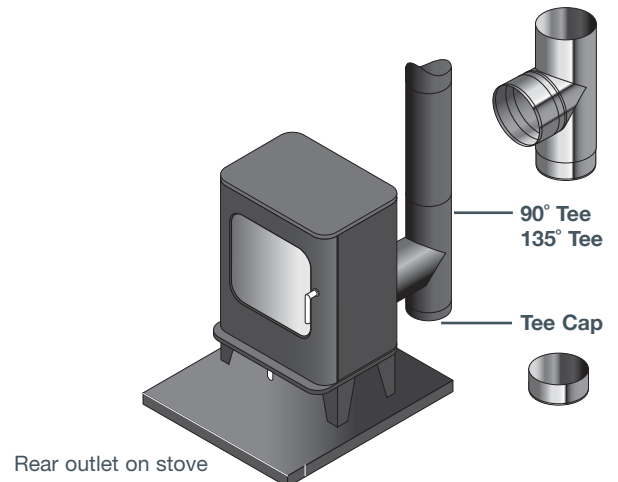
The stove should be connected to the flue using vitreous enamel or 1mm thick single wall stainless steel pipe.



Existing Masonry Chimney
Top outlet on stove



New System Chimney
Top outlet on stove

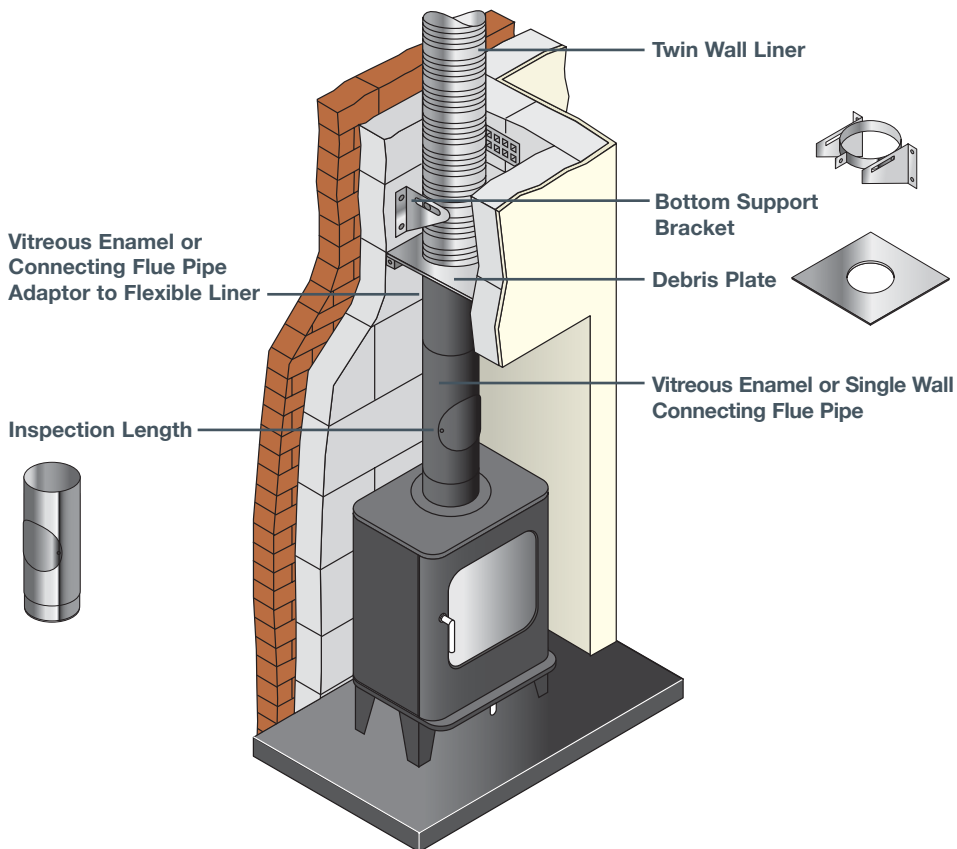
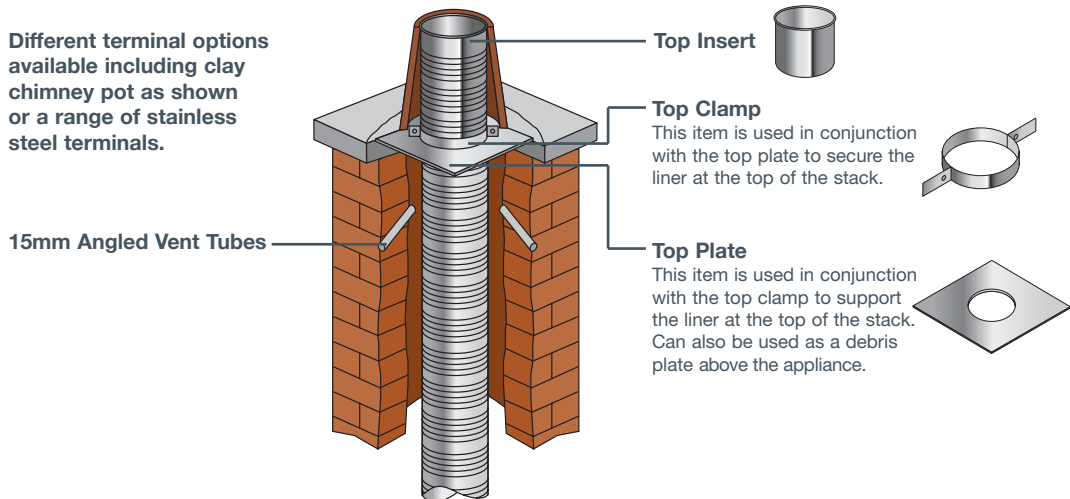


Rear outlet on stove

Wood Burning & Multi Fuel Stoves

Existing Chimneys

Relining an existing chimney with twin wall flexible liner

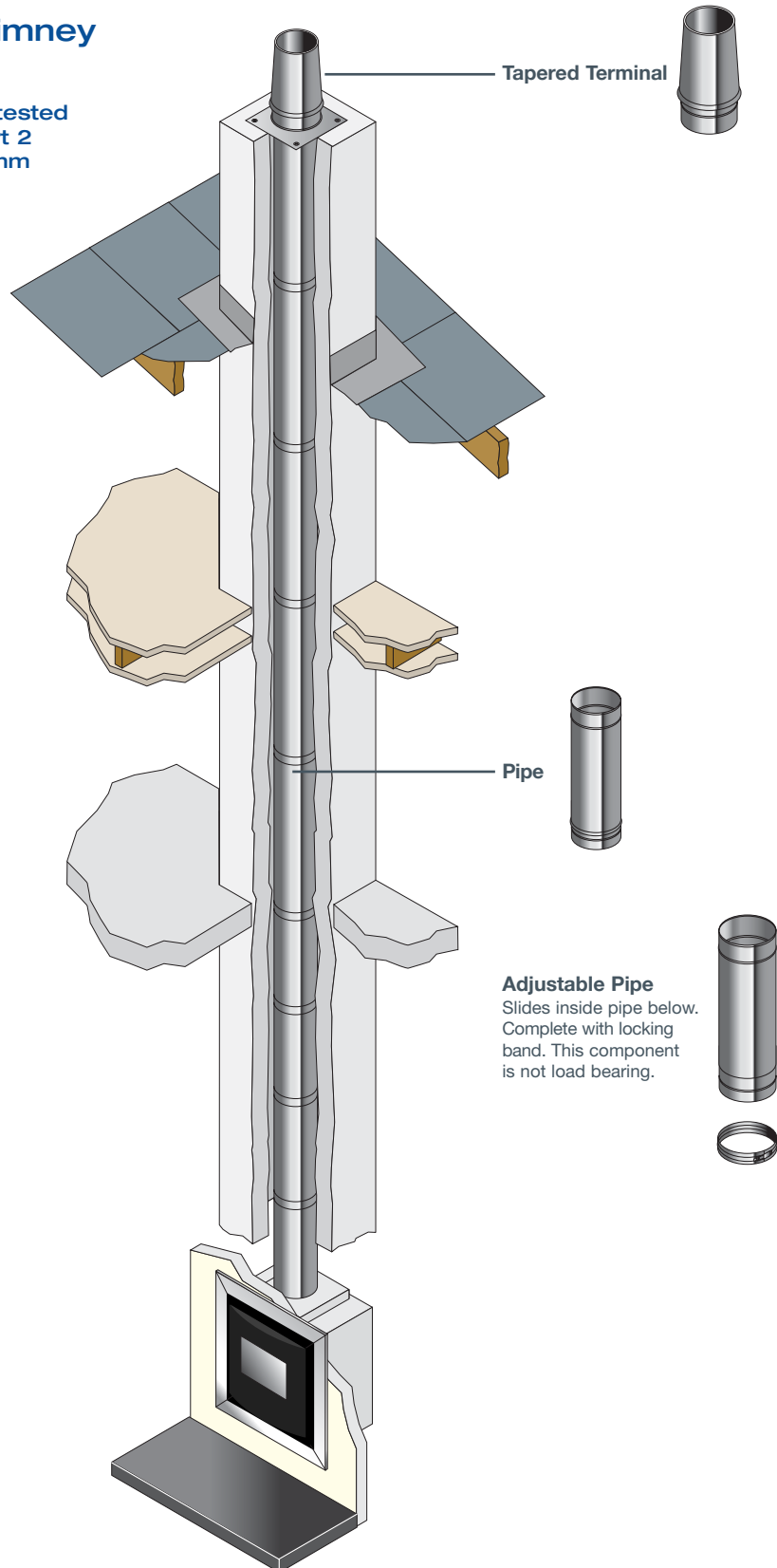


Wood Burning & Multi Fuel Stoves

Existing Chimneys

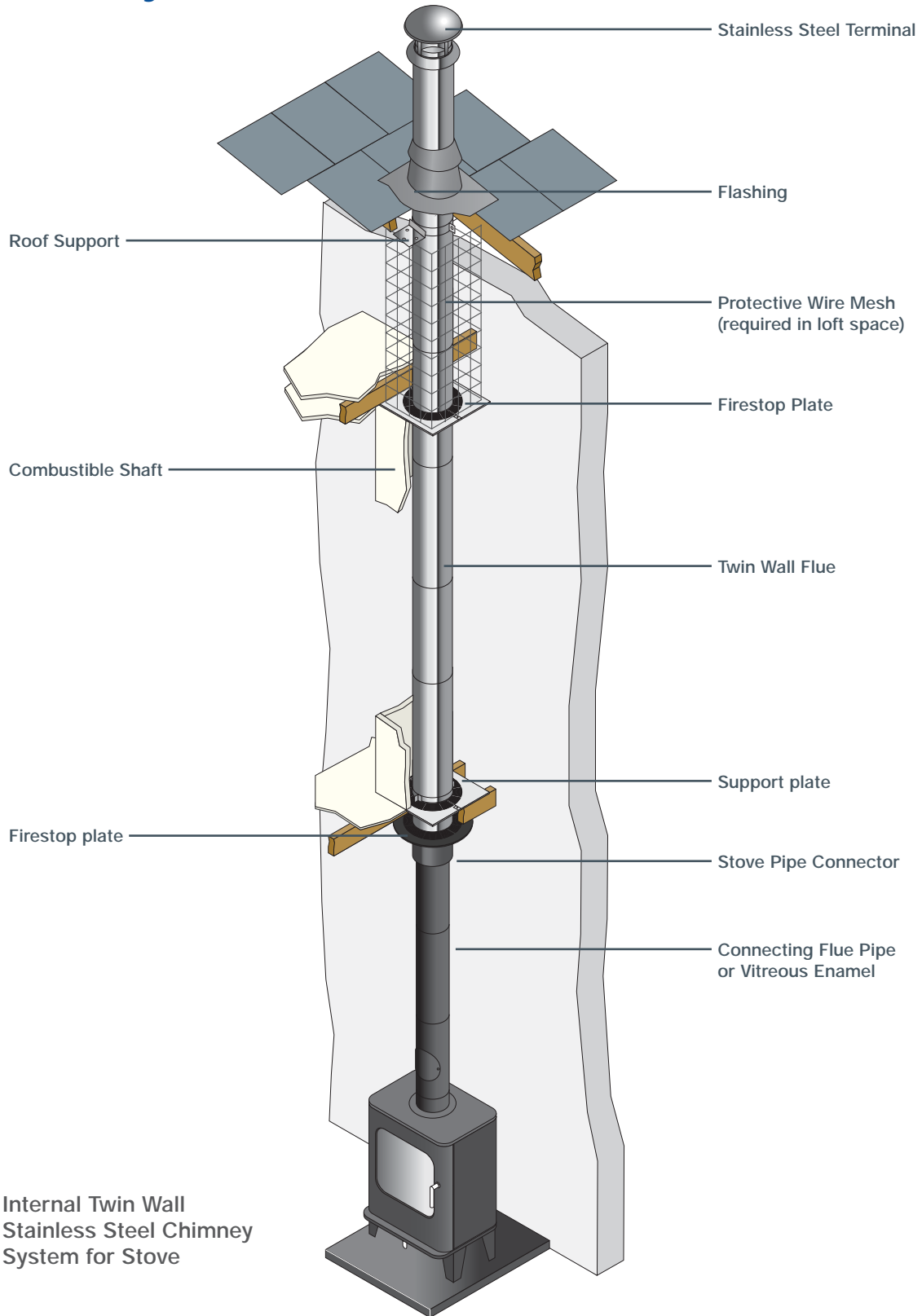
Relining an existing chimney with single wall liner.

If the 0.6mm thick liner has been tested in accordance with BSEN1856 part 2 then it may be used. If not then 1mm single wall liner must be used.



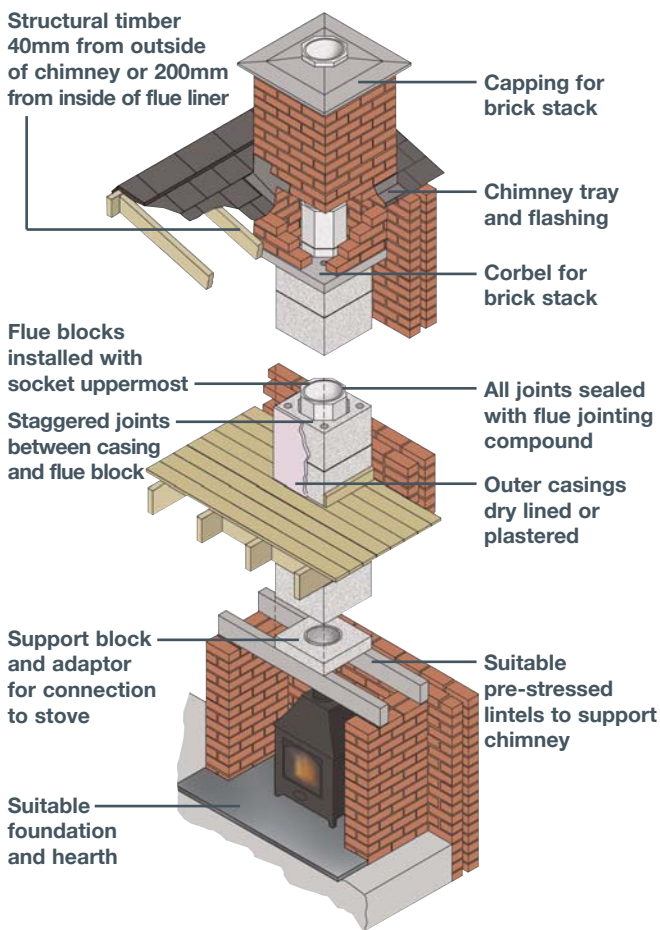
Wood Burning & Multi Fuel Stoves

New Chimneys

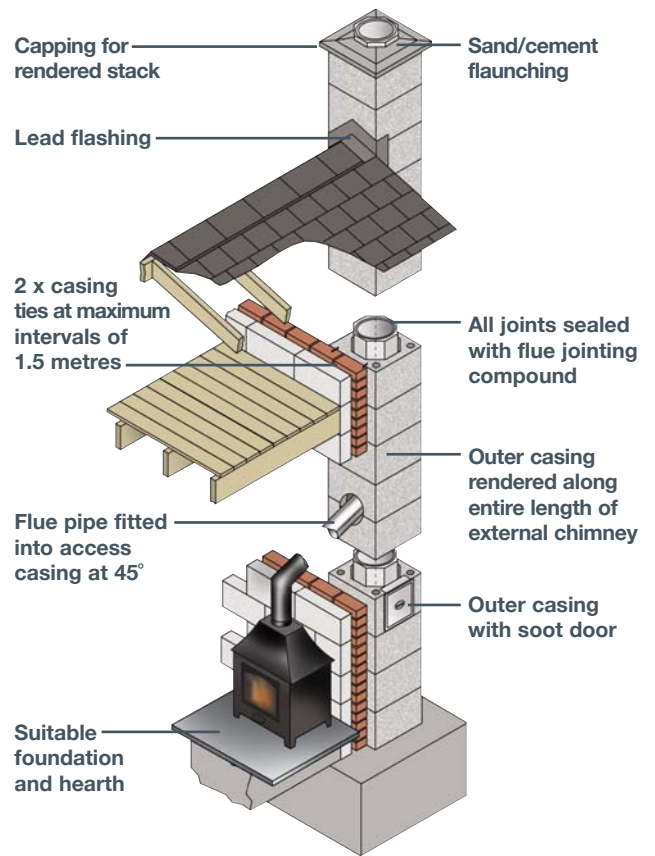


Wood Burning & Multi Fuel Stoves

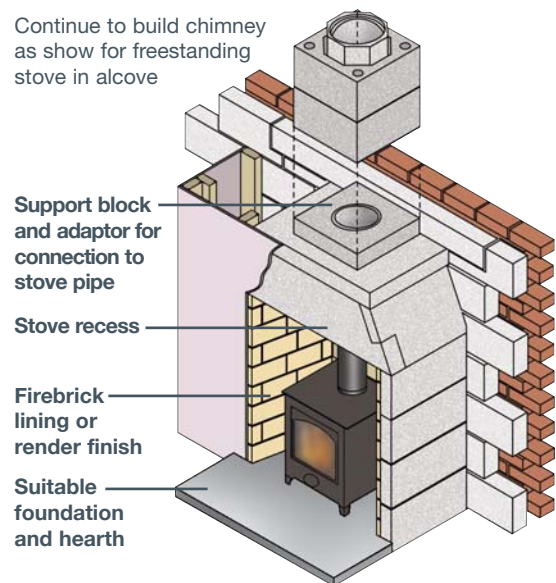
Clay Concrete & Pumice - Chimney Systems



Free Standing Stove in an Alcove



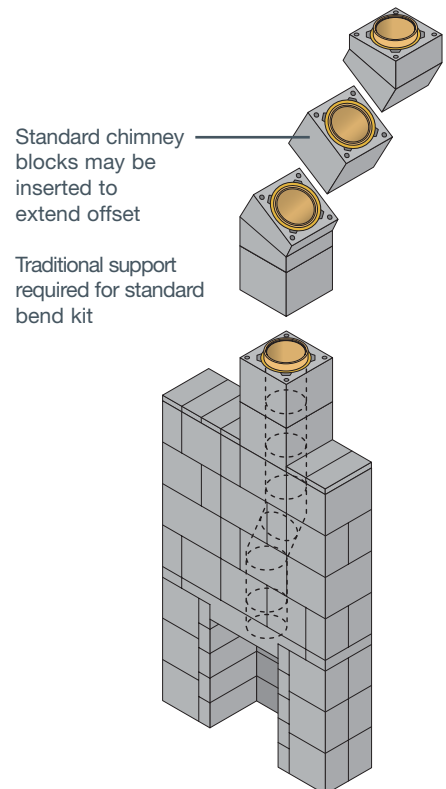
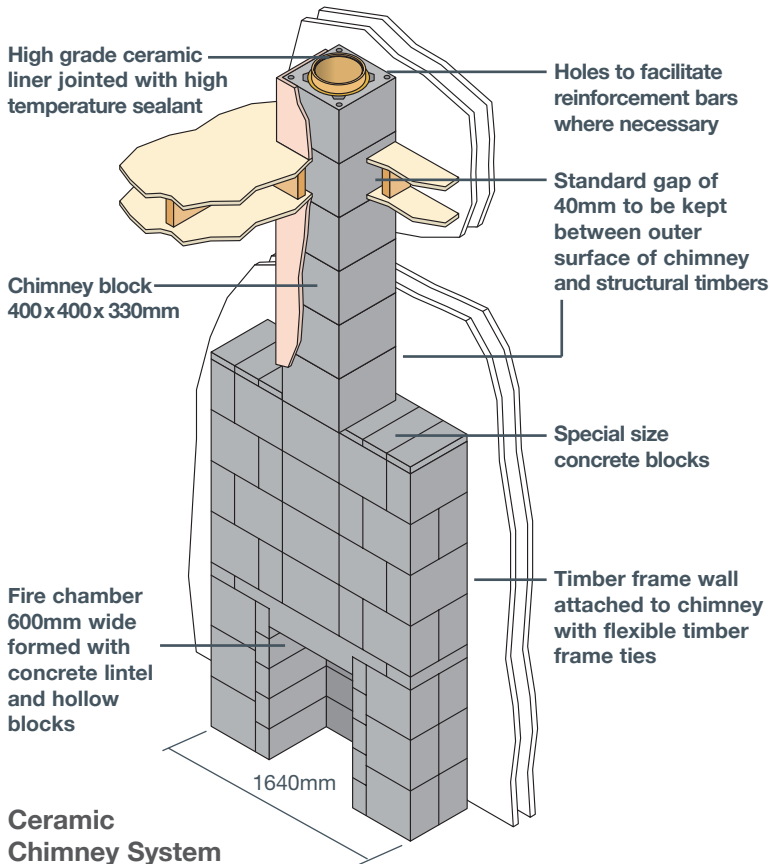
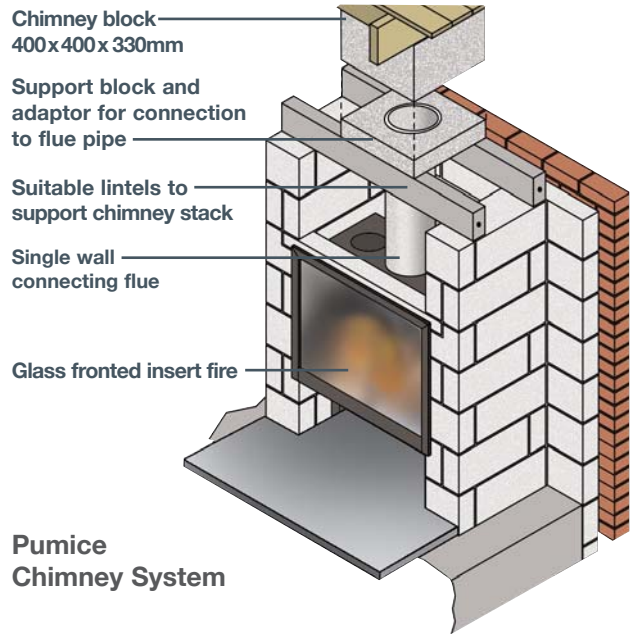
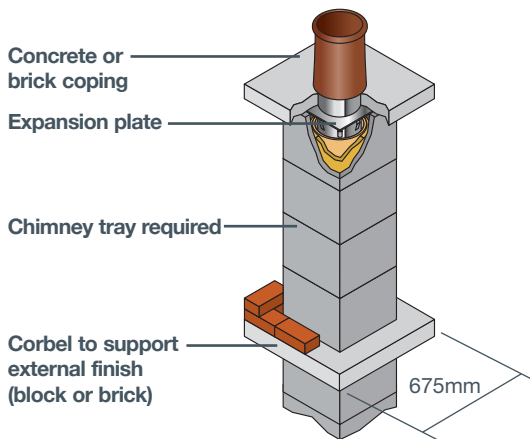
Free standing stove with external chimney with preformed stove entry kit



Stove Recess

Wood Burning & Multi Fuel Stoves

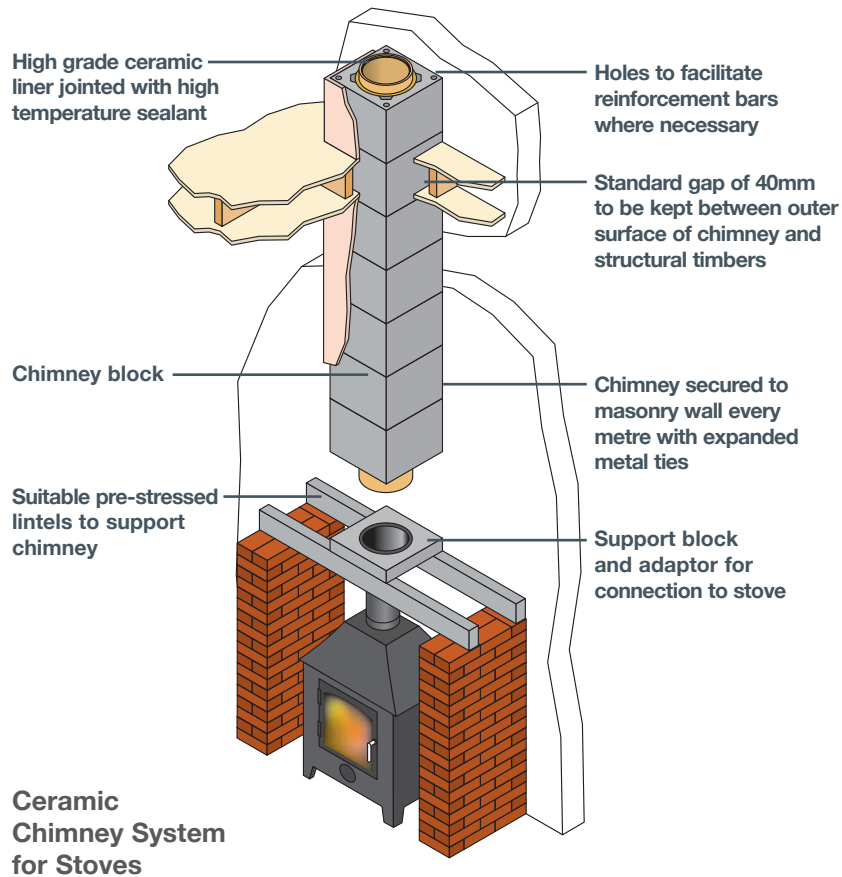
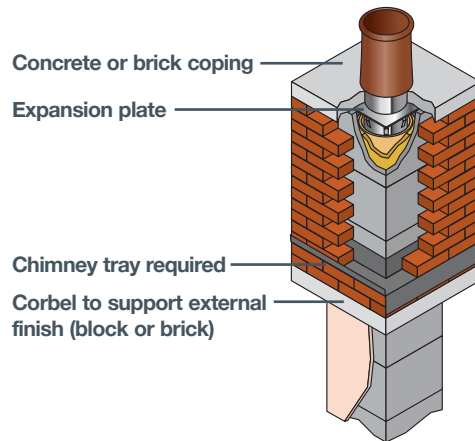
Clay Concrete & Pumice - Chimney Systems



Two Bend Kits are available. The Breast Bend Kit allows the flue to be removed from 200 - 400mm within the chimney breast. The Standard Bend Kit allows the flue to be moved horizontally as desired so long as it is supported in the traditional manner.

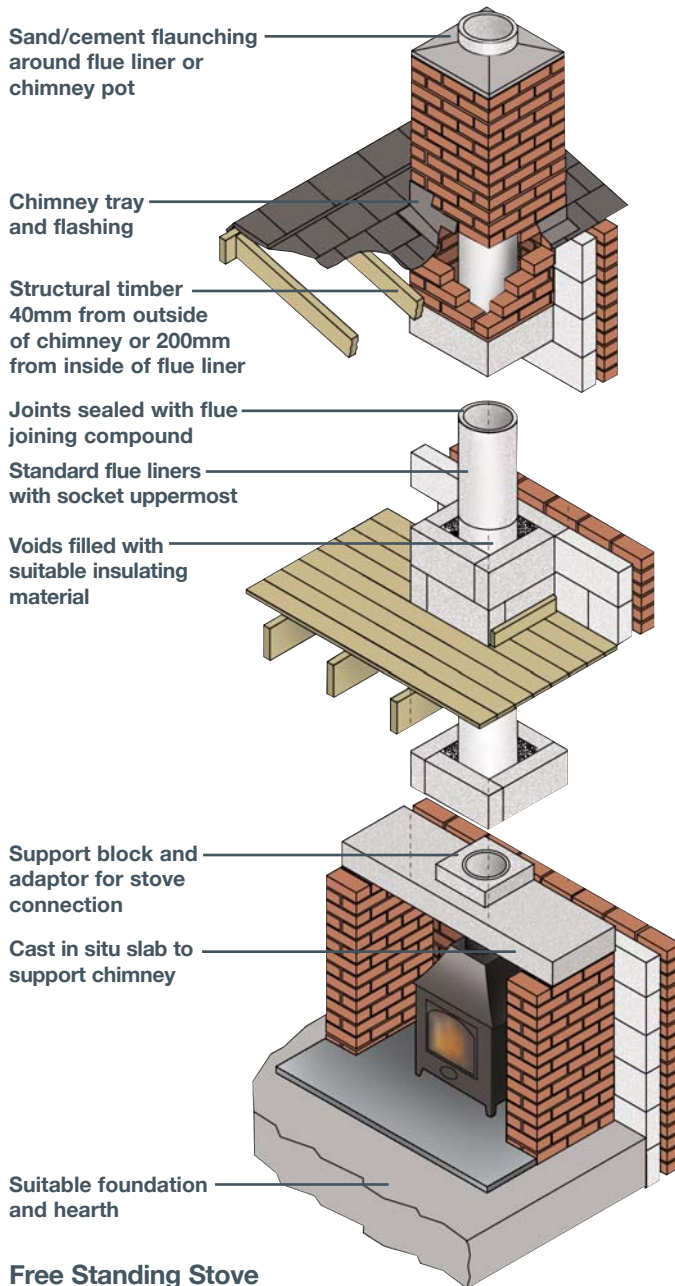
Wood Burning & Multi Fuel Stoves

Clay Concrete & Pumice - Chimney Systems

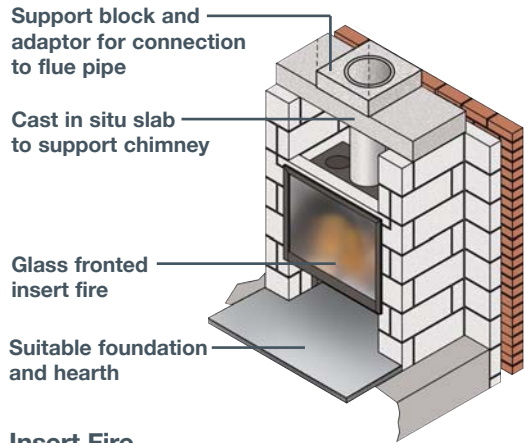


Wood Burning & Multi Fuel Stoves

Clay Concrete & Pumice - Liners



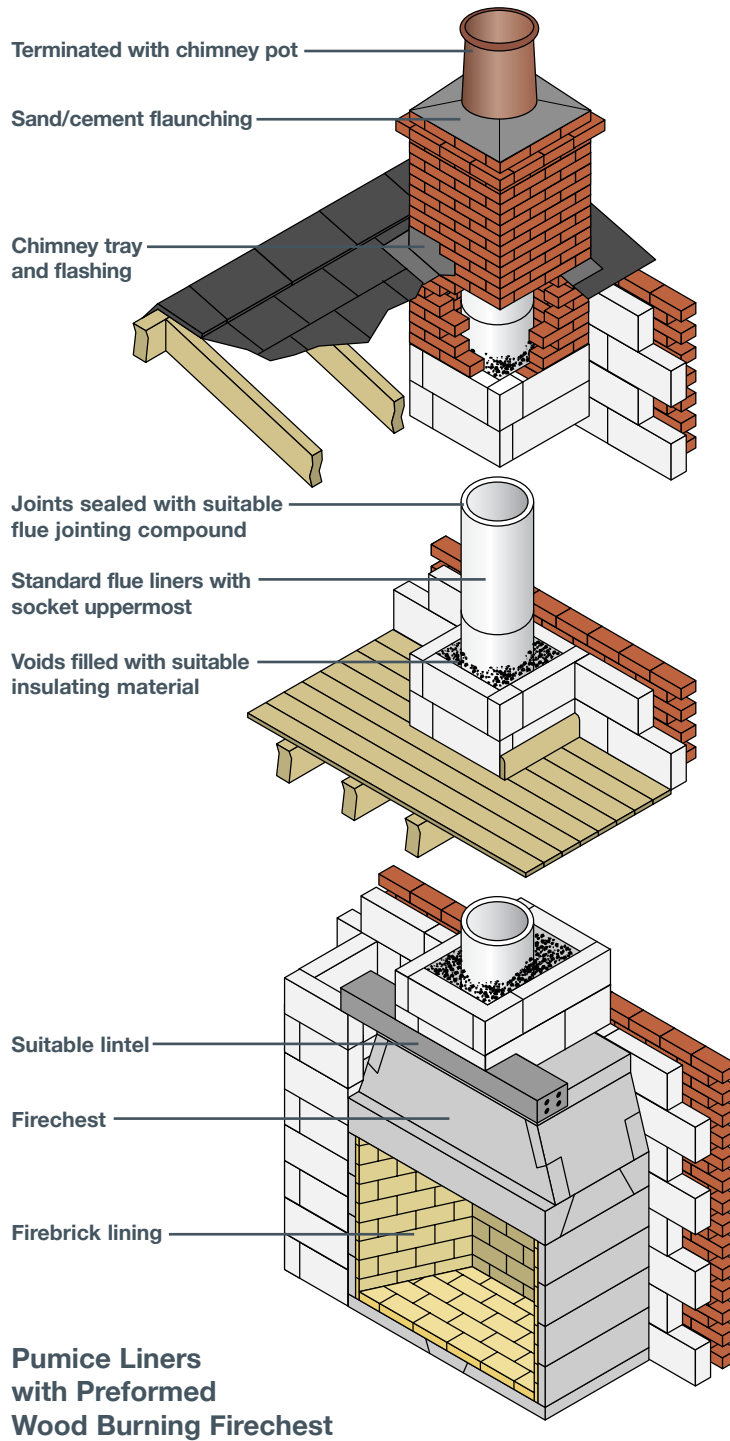
Continue to build chimney as in free standing stove



Insert Fire

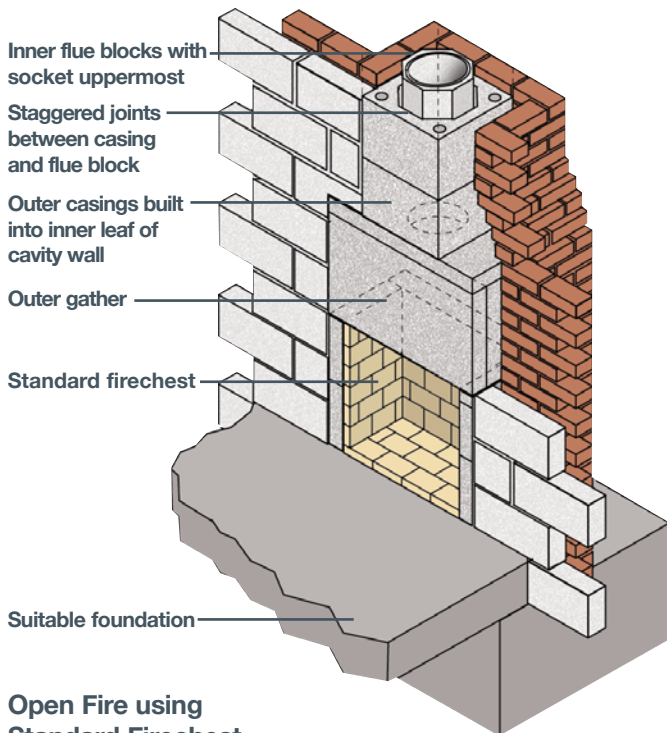
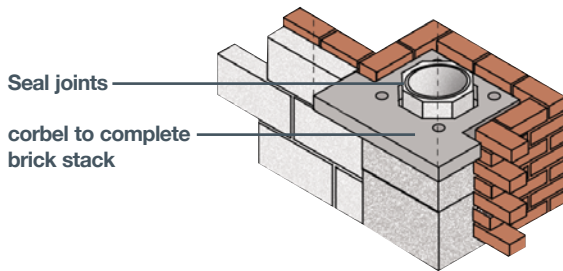
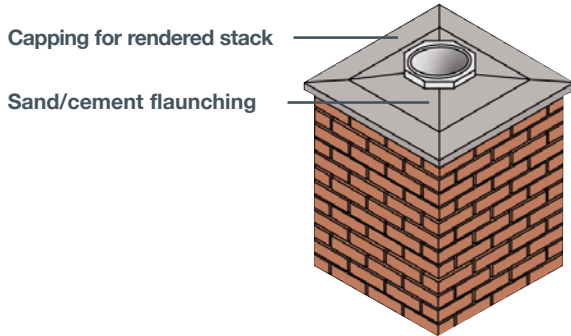
Open Fires

Clay Concrete & Pumice - Liners

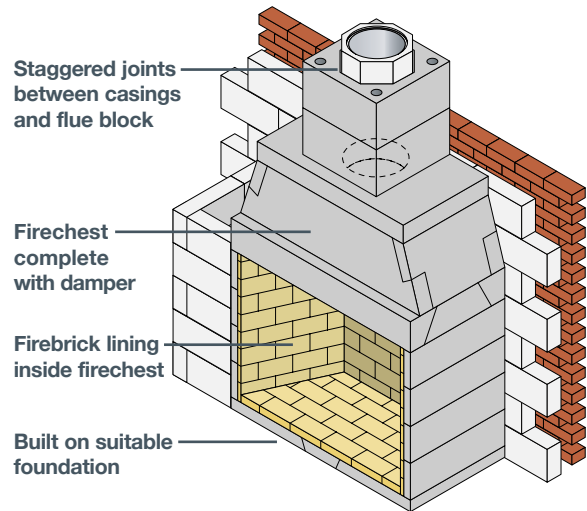


Open Fires

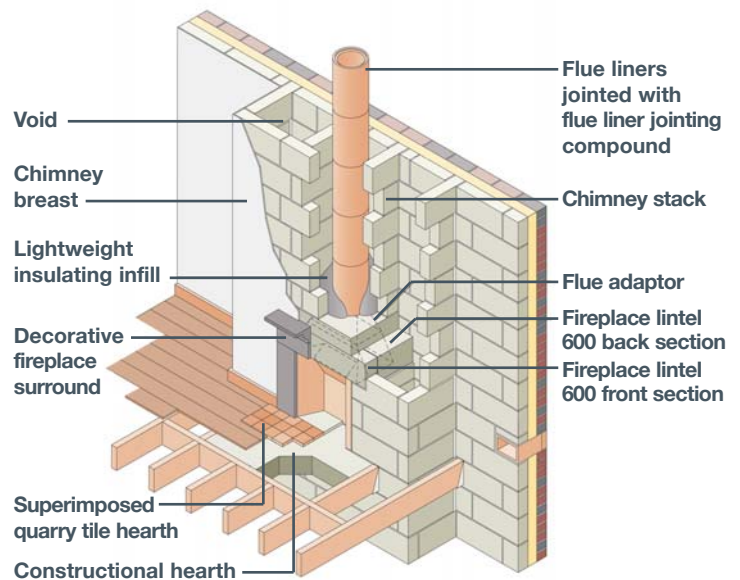
Clay Concrete & Pumice - Chimney Systems



Open Fire using Standard Firechest



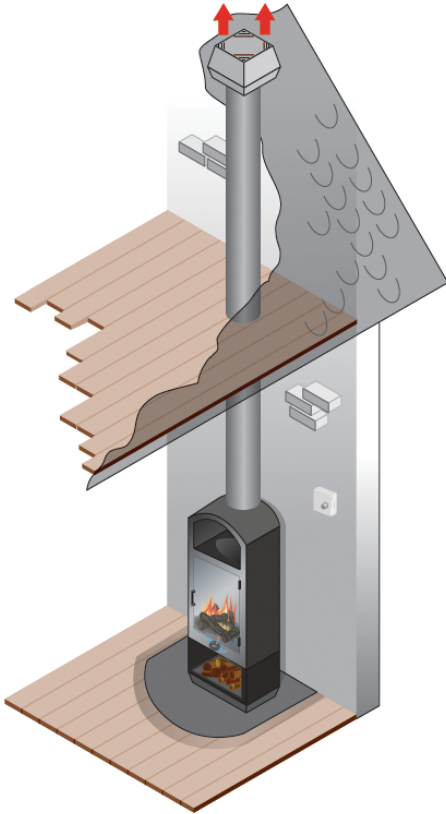
Firechest



Standard Methodology for Clay, Concrete & Pumice Liners

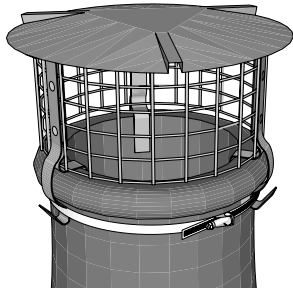
Wood Burning & Multi Fuel Appliances

Chimney Fan System



Examples of Terminals

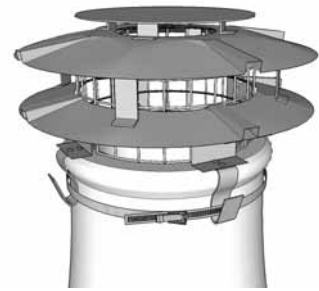
Examples of Stainless Steel Terminals, Birdguards & Anti-Downdraught Terminals



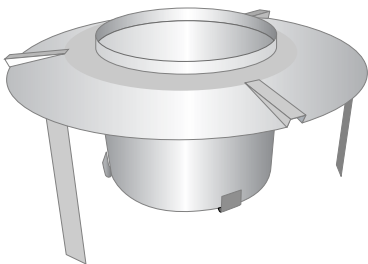
Birdguard
fitted to Chimney Pot



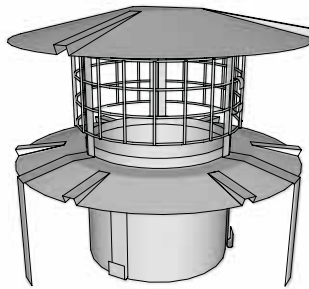
Raincap
fitted to Chimney Pot



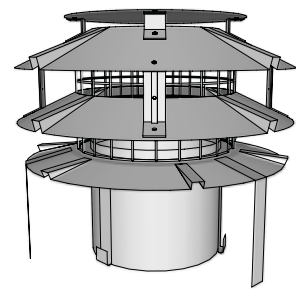
Solid Fuel Anti-Downdraught
fitted to Chimney Pot
(with or without mesh)



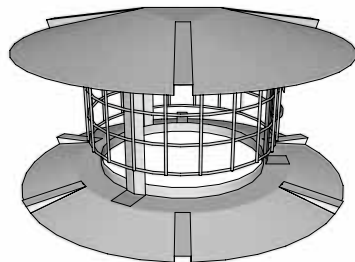
Pot Hanger
fitted to Twin Wall Flexible Liner



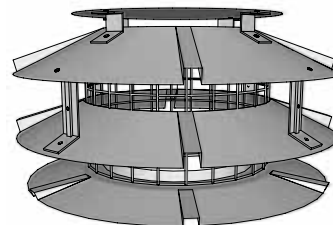
Birdguard Pot Hanger
fitted to Twin Wall Flexible Liner
(with or without mesh)



Anti-Downdraught Pot Hanger
fitted to Twin Wall Flexible Liner
(with or without mesh)



Birdguard
fitted to Twin Wall System
(with or without mesh)



Anti-Downdraught
fitted to Twin Wall System
(with or without mesh)

List of Members

Brewer Metalcraft

Units C & D,
Ford Lane Industrial Estate,
Ford, Arundel,
West Sussex,
BN18 0DF,
T: 0745 676 0702
F: 0845 676 0703
E: sales@brewercowls.co.uk
www.brewercowls.co.uk

Deks UK

West End Trading Estate,
Blackfriars Road,
Nailsea, Bristol,
BS48 4DJ,
T: 01275 858 866
F: 01275 855 887
E: sales@deks.co.uk
www.deks.co.uk

Exodraft

Unit 3 Lancaster Court Coronation Road,
Cressex Business Park,
High Wycombe,
Buckinghamshire,
HP12 3TD,
T: 01494 465166
F: 01494 465163
E: info@exodraft.co.uk
www.exodraft.co.uk

H. Docherty

15/16 Colthrop Business Park,
Thatcham,
Berkshire,
RG19 4NB,
T: 01635 292 400
F: 01635 201 737
E: sales@docherty.co.uk
www.docherty.co.uk

Hanson Red Bank

Atherstone Road,
Measham,
Swadlincote,
Derbyshire,
DE12 7EL,
T: 01530 270333
F: 01530 273667
E: sales@redbankmfg.co.uk
www.redbankmfg.co.uk

JRF Chimney Specialists & Heating Distributors

50 Nasmyth Road,
Southfield Industrial Estate,
Glenrothes, Fife,
KY6 2SD,
T: 01592 771199
F: 01592 771135
E: info@jrf-chimney-spec.co.uk
www.jrf-chimney-spec.co.uk

Mi-Flues

Spiro House, Cocker Avenue,
Poulton Business Park,
Poulton-Le-Fylde,
Lancashire,
FY6 8JU,
T: 01253 884 972
F: 01253 893 752
E: sales@mi-flues.com
www.mi-flues.com

MMF

Flue House,
55 Woodburn Road,
Smethwick,
West Midlands,
B66 2PU,
T: 0121 555 6555
F: 0121 555 1606
E: mmf@fluepipes.com
www.fluepipes.com

Muelink & Grol B.V.

Postbus 509,
9700 AM Groningen - Holland,
Duinkerkenstraat 27,
9723 BP Groningen - Holland,
T: +31 (0) 50 313 9944
F: +31 (0) 50 318 5423
E: sales@muelink-grol.com
www.muelink-grol.com

Pennine Systems

Crossley Works, Stockfield Mount,
Off Peel Street, Chadderton,
Oldham,
Lancashire,
OL9 9LR,
T: 0161 678 2998
F: 0161 678 2997
E: ian@penninesystems.co.uk
www.penninesystems.co.uk

Poujoulat (UK)

Unit 1, Quadrum Park,
Old Portsmouth Road,
Guildford,
Surrey,
GU3 1LU,
T: 01483 461700
F: 01483 533435
E: sales@poujoulat.co.uk
www.poujoulat.co.uk

W.T. Knowles & Sons

Ash Grove Pipe Works,
Elland,
West Yorkshire,
HX5 9JA,
T: 01422 372 833
F: 01422 370 900
E: martin@wtknowles.co.uk
www.wtknowles.co.uk

Schiedel Chimney Systems

Crowther Estate, Washington,
Tyne & Wear,
NE38 0AQ
Schiedel Rite-Vent
T: 0191 4161150
F: 0191 415 1263
Schiedel Isokern
T: 01202 861650
F: 01202 861632
E: info@schiedel.co.uk
W: www.schiedel.co.uk

SFL Flues & Chimneys

Pottington Business Park,
Barnstaple,
Devon,
EX31 1LZ,
T: 01271 326633
F: 01271 334303
E: info@sflchimneys.com
www.sflchimneys.com

Simplefit

Central Crescent,
Marchwood Industrial Park,
Marchwood,
Southampton,
SO40 4BJ,
T: 023 8066 3210
F: 023 8066 3086
E: sales@simplefit.co.uk
www.simplefit.co.uk

Specflue

8 Curzon Road,
Chilton Industrial Estate,
Sudbury,
Suffolk,
CO10 2XW,
T: 01787 880333
F: 01787 880555
E: sales@specflue.com
www.specflue.com

Wavin

Hazlehead,
Crow Edge,
Sheffield,
South Yorkshire,
S36 4HG,
T: 0844 856 5152
F: 0870 443 8000
E: customerservices@wavin.co.uk
www.hepworthterracotta.co.uk