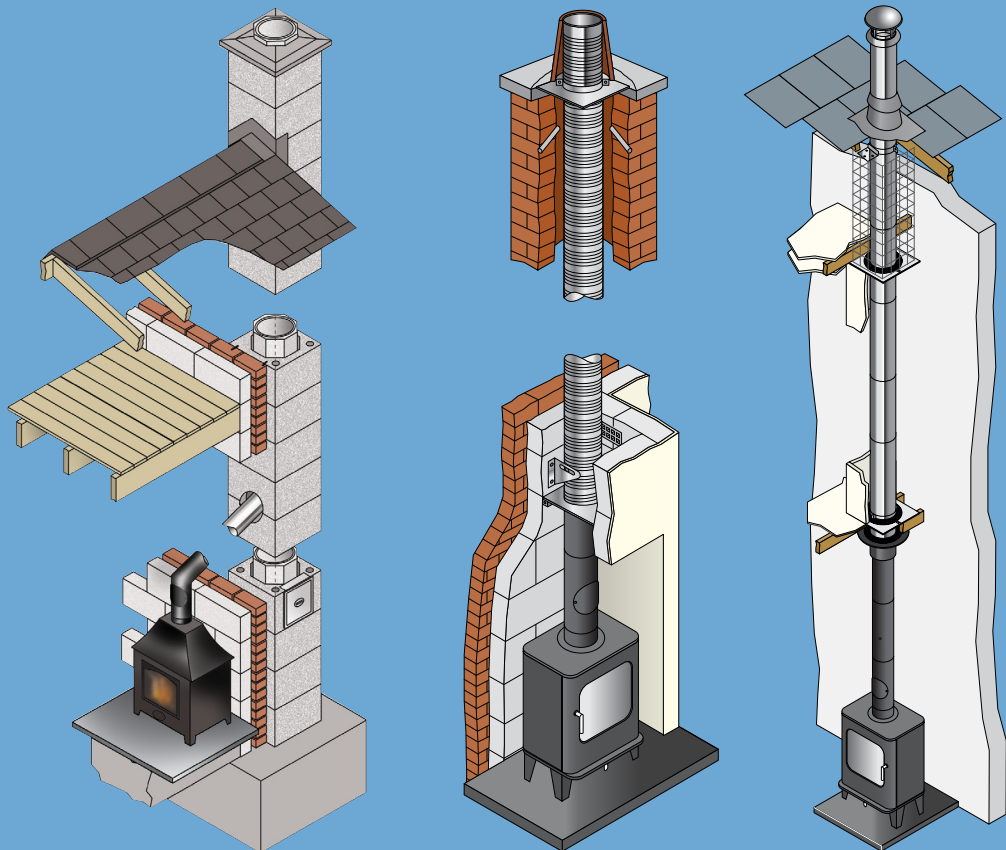




BFCMA

BRITISH FLUE & CHIMNEY
MANUFACTURERS
ASSOCIATION



Installation Guidelines

for Wood Burning &
Multi Fuel Appliances

Published by the
British Flue and Chimney Manufacturers Association.
2 Waltham Court, Milley Lane, Hare Hatch, Berks, RG10 9TH
Tel: 0118 940 3416 Fax: 0118 940 6258 Email: info@feta.co.uk

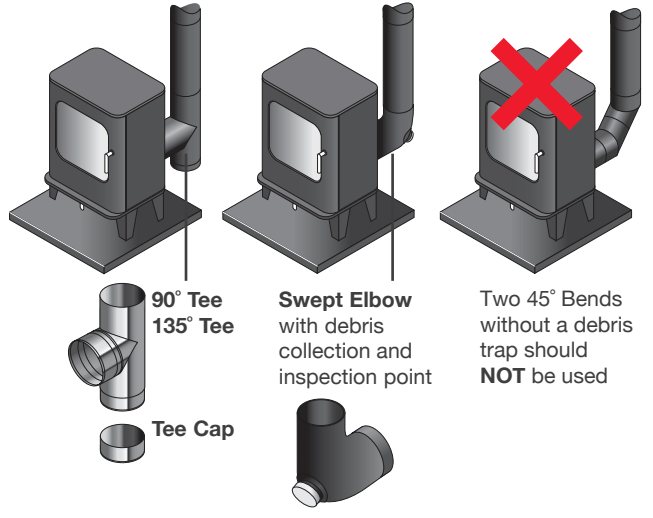
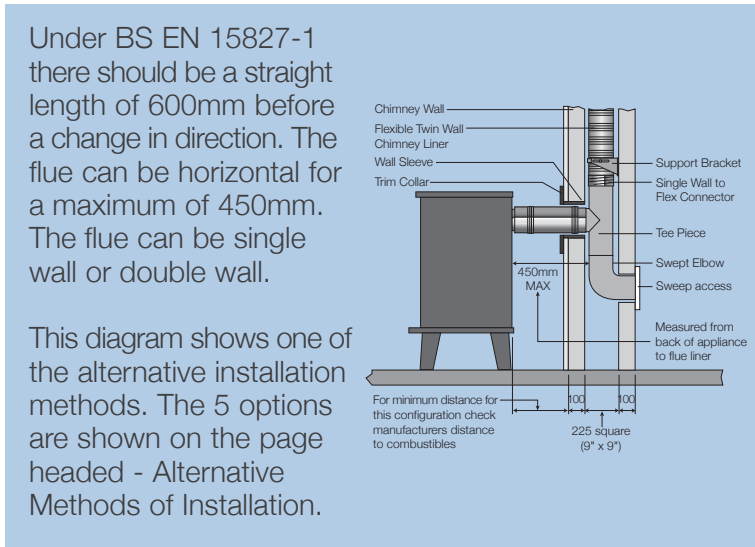
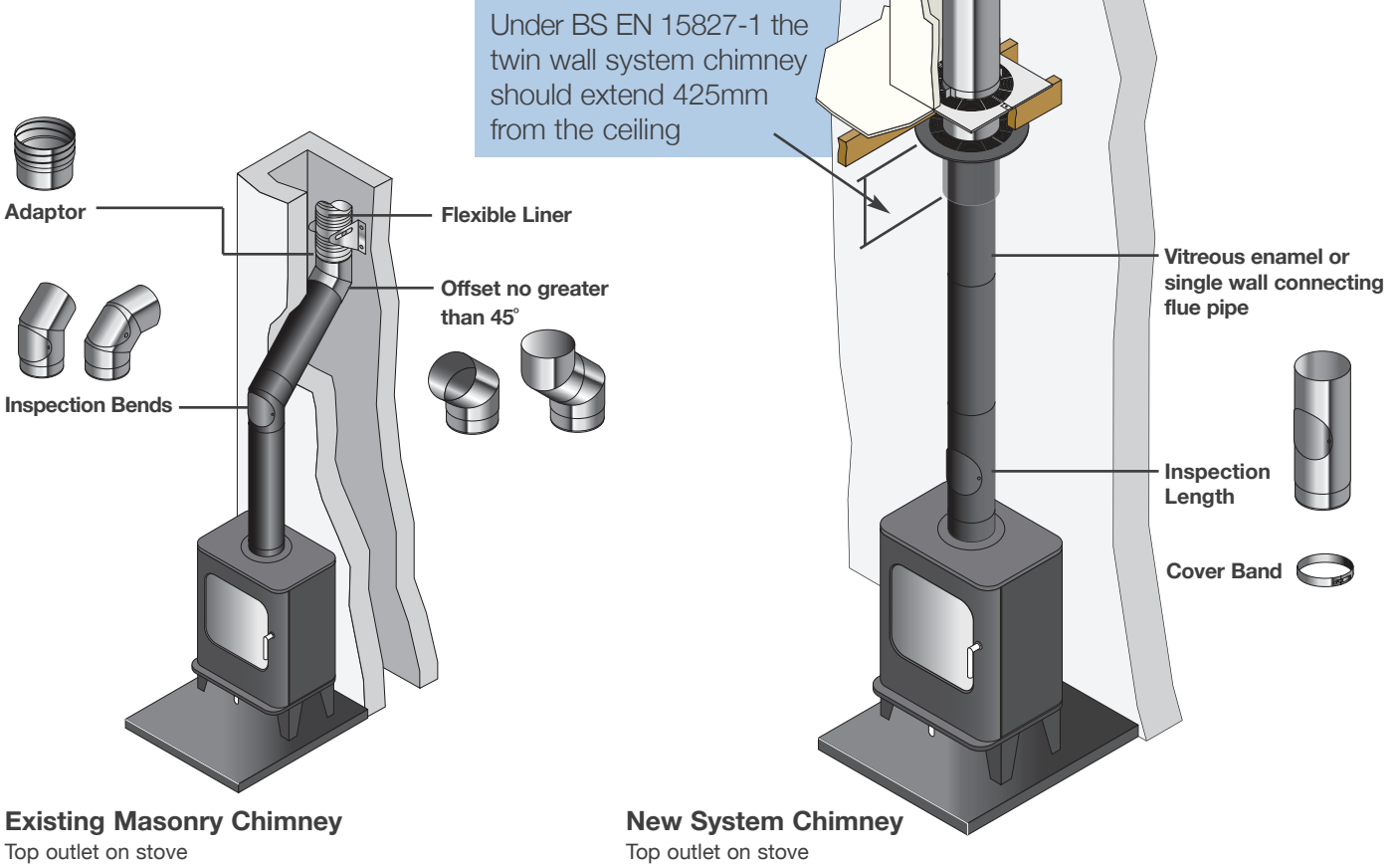
www.bfcma.co.uk

Version Date - June 2023

Wood Burning & Multi Fuel Stoves

Connecting Flue Pipe

The stove should be connected to the flue using vitreous enamel or 1mm thick single wall stainless steel pipe.



Connection methods for rear outlet stoves

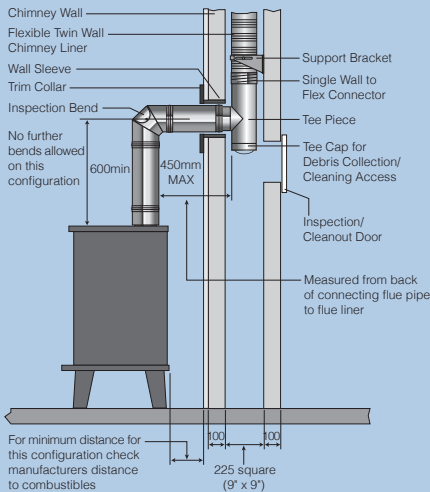
Installations shown are by way of illustration only. Manufacturer's installation instructions should always be consulted before installation.

Wood Burning & Multi Fuel Stoves

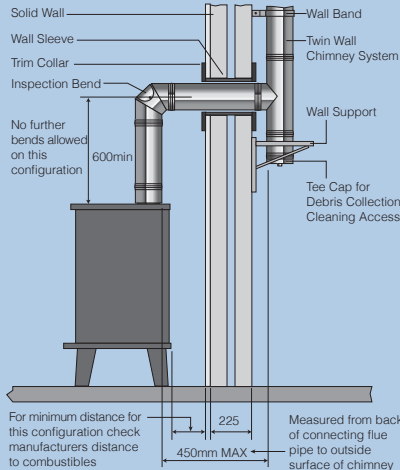
Alternative methods of installation of under BS EN 15287-1

Under the new BS EN 15287 the horizontal distance for the connecting flue can be up to a maximum of 450mm provided:

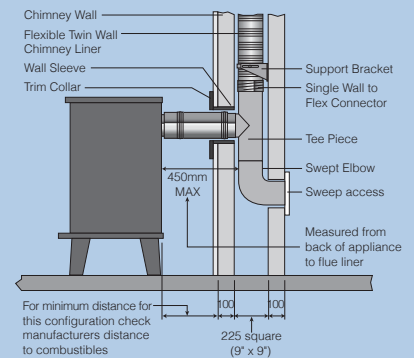
- A Defra exempt appliance or an appliance, which is limited to burning authorised smokeless fuel only, is installed.
- A calculation according to BS EN 13384-1 has indicated safe operation of the proposed configuration, and the results of the calculation are left with the householder along with the appliance installation instructions.
- The chimney manufacturer appliance manufacturers agree in writing to the proposed configuration;
- The total length of single wall connecting flue pipe is not more than 1.5m;
- The appropriate distances to combustible materials from both the appliance and the connecting flue pipe are maintained.



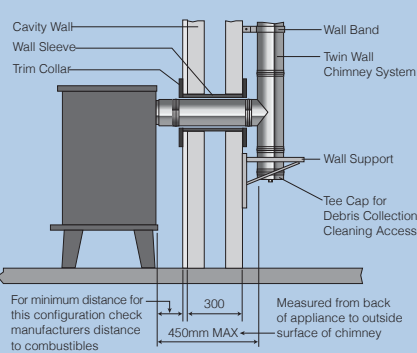
Top outlet twin wall connecting flue pipe into re-lined masonry chimney



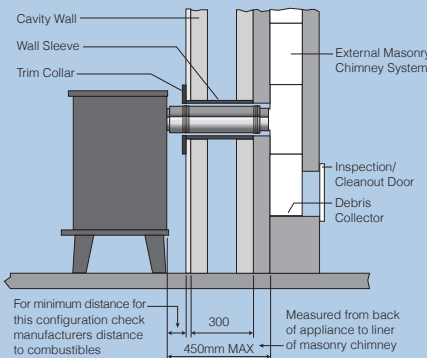
Top outlet twin wall connecting flue pipe through solid wall into twin wall system chimney



Rear outlet twin wall connecting flue pipe into re-lined masonry chimney



Rear outlet twin wall connecting flue pipe through cavity wall into twin wall system chimney



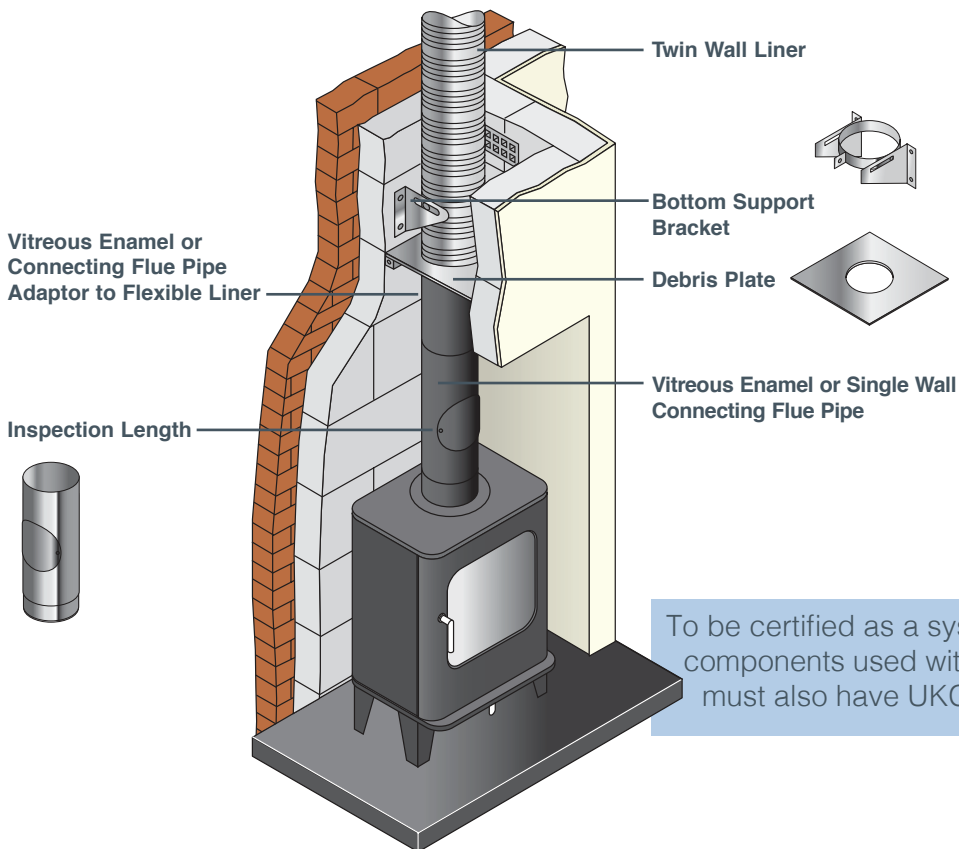
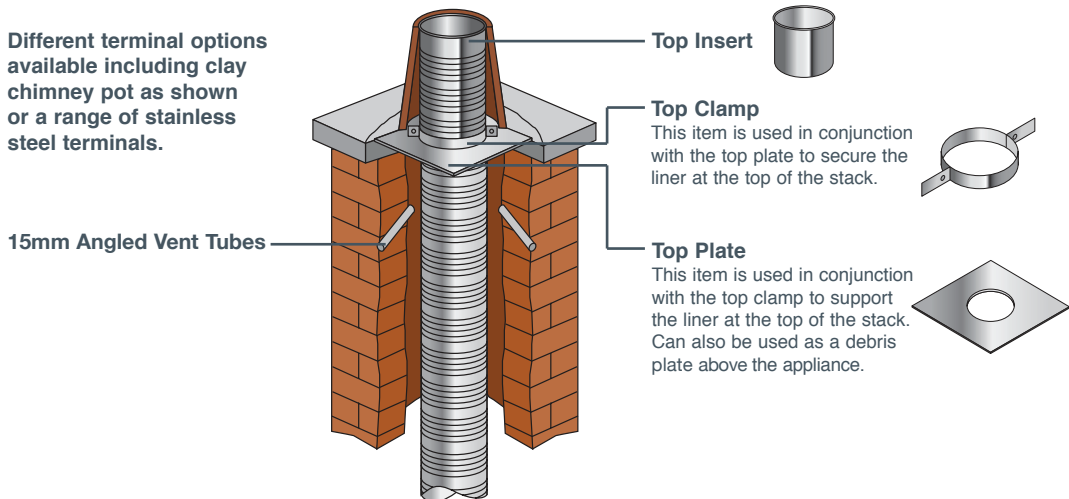
Rear outlet twin wall connecting flue pipe into external masonry chimney through a cavity wall

Installations shown are by way of illustration only. Manufacturer's installation instructions should always be consulted before installation.

Wood Burning & Multi Fuel Stoves

Existing Chimneys

Relining an existing chimney with twin wall flexible liner

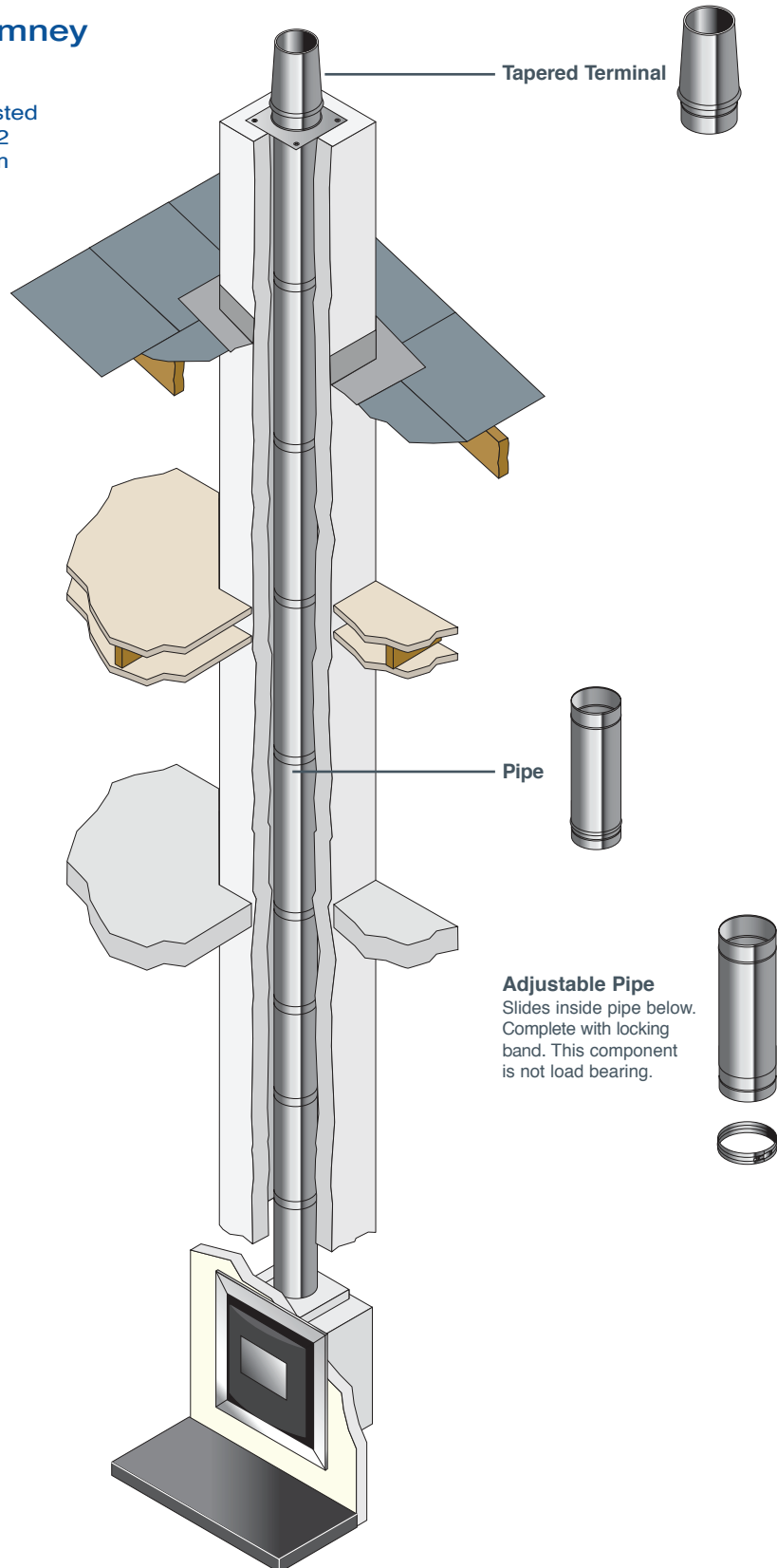


Wood Burning & Multi Fuel Stoves

Existing Chimneys

Relining an existing chimney with single wall liner.

If the 0.6mm thick liner has been tested in accordance with BSEN1856 part 2 then it may be used. If not then 1mm single wall liner must be used.

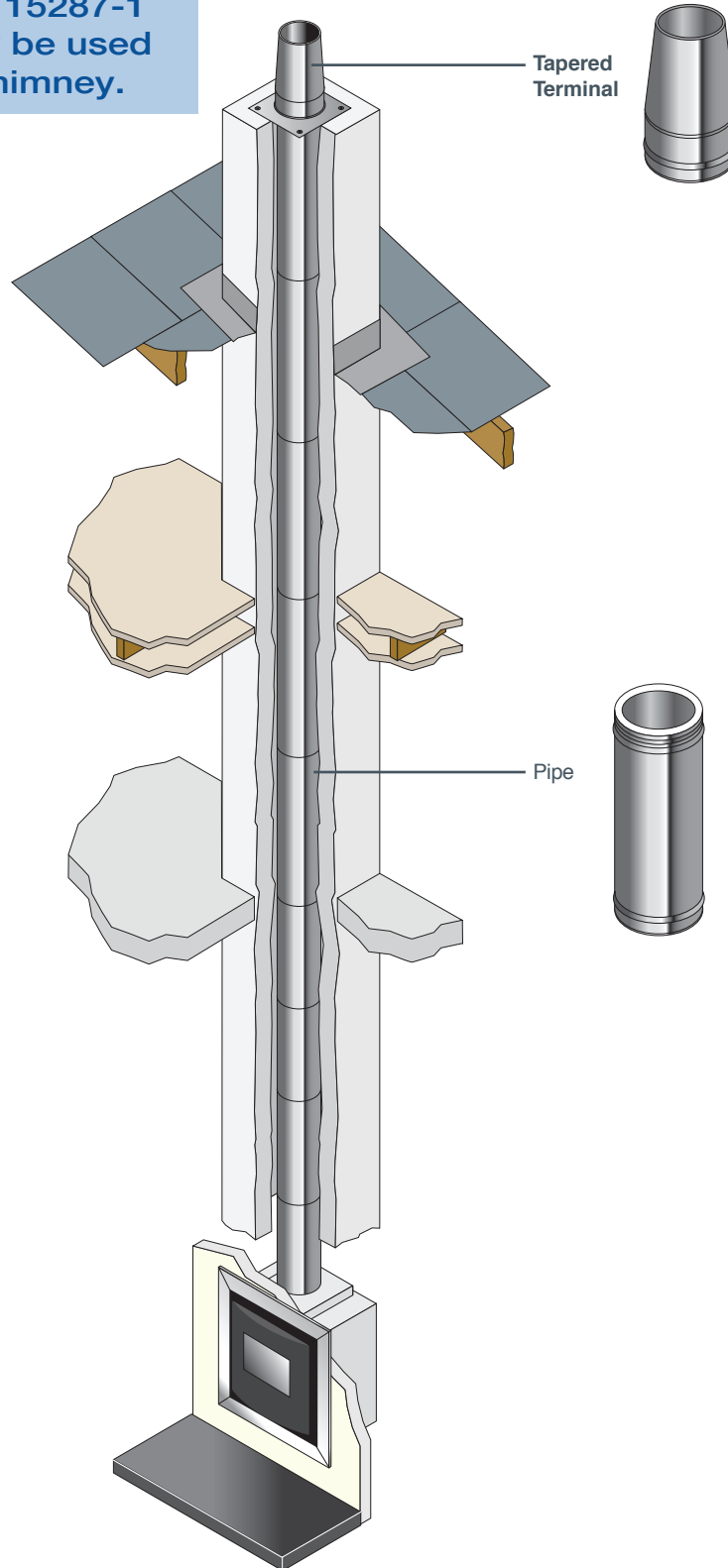


Installations shown are by way of illustration only. Manufacturer's installation instructions should always be consulted before installation.

Wood Burning & Multi Fuel Stoves

Existing Chimneys

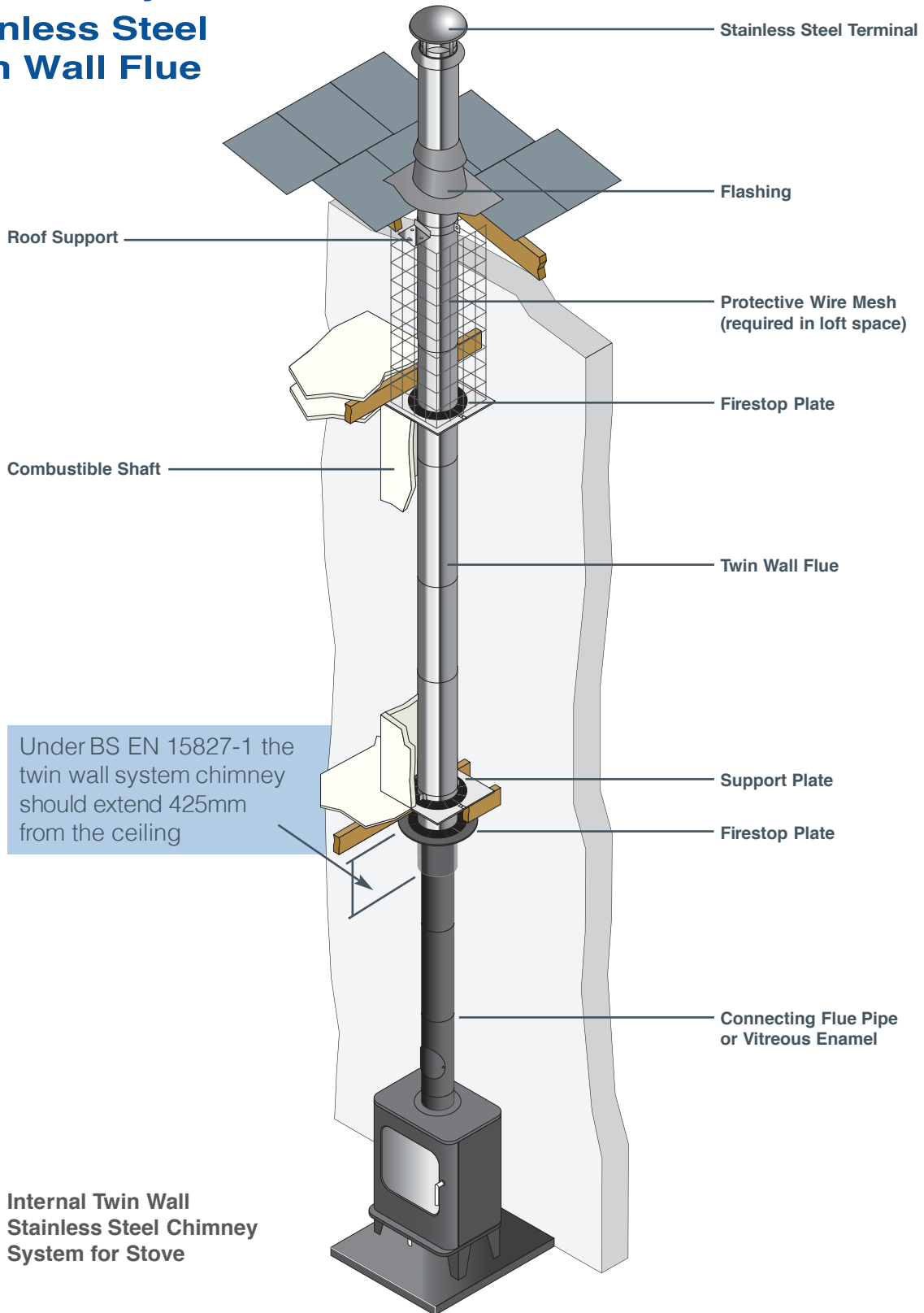
Under the new BS EN 15287-1 twin wall flue can now be used to reline an existing chimney.



Installations shown are by way of illustration only. Manufacturer's installation instructions should always be consulted before installation.

Wood Burning & Multi Fuel Stoves

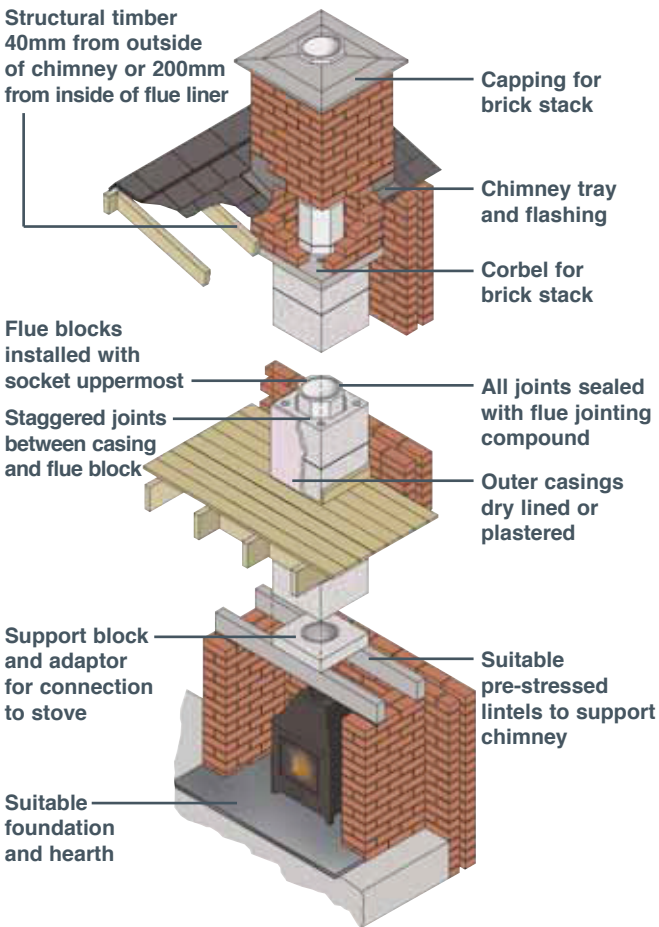
New Chimneys - Stainless Steel Twin Wall Flue



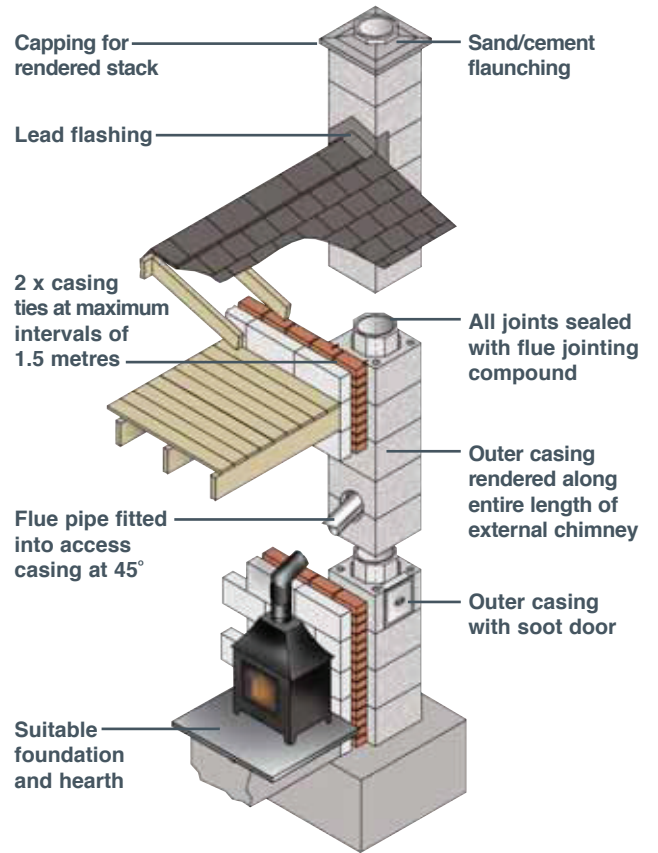
Installations shown are by way of illustration only. Manufacturer's installation instructions should always be consulted before installation.

Wood Burning & Multi Fuel Stoves

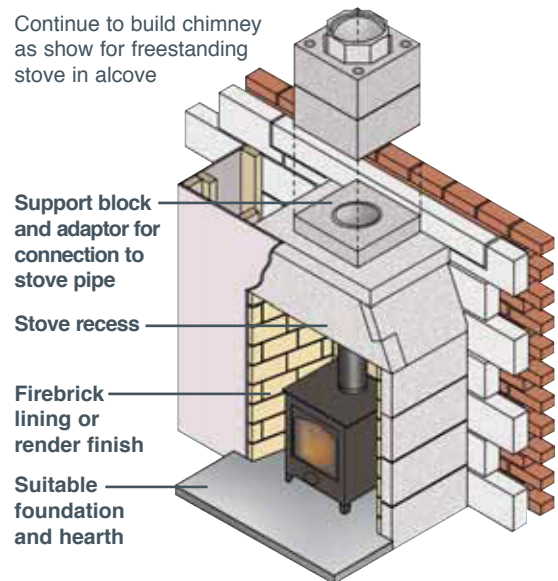
Clay Concrete & Pumice - Chimney Systems



Free Standing Stove in an Alcove



Free standing stove with external chimney with preformed stove entry kit

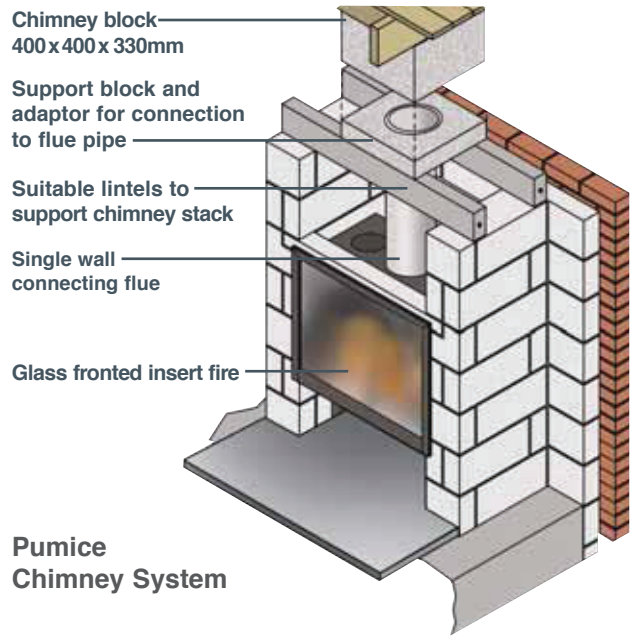
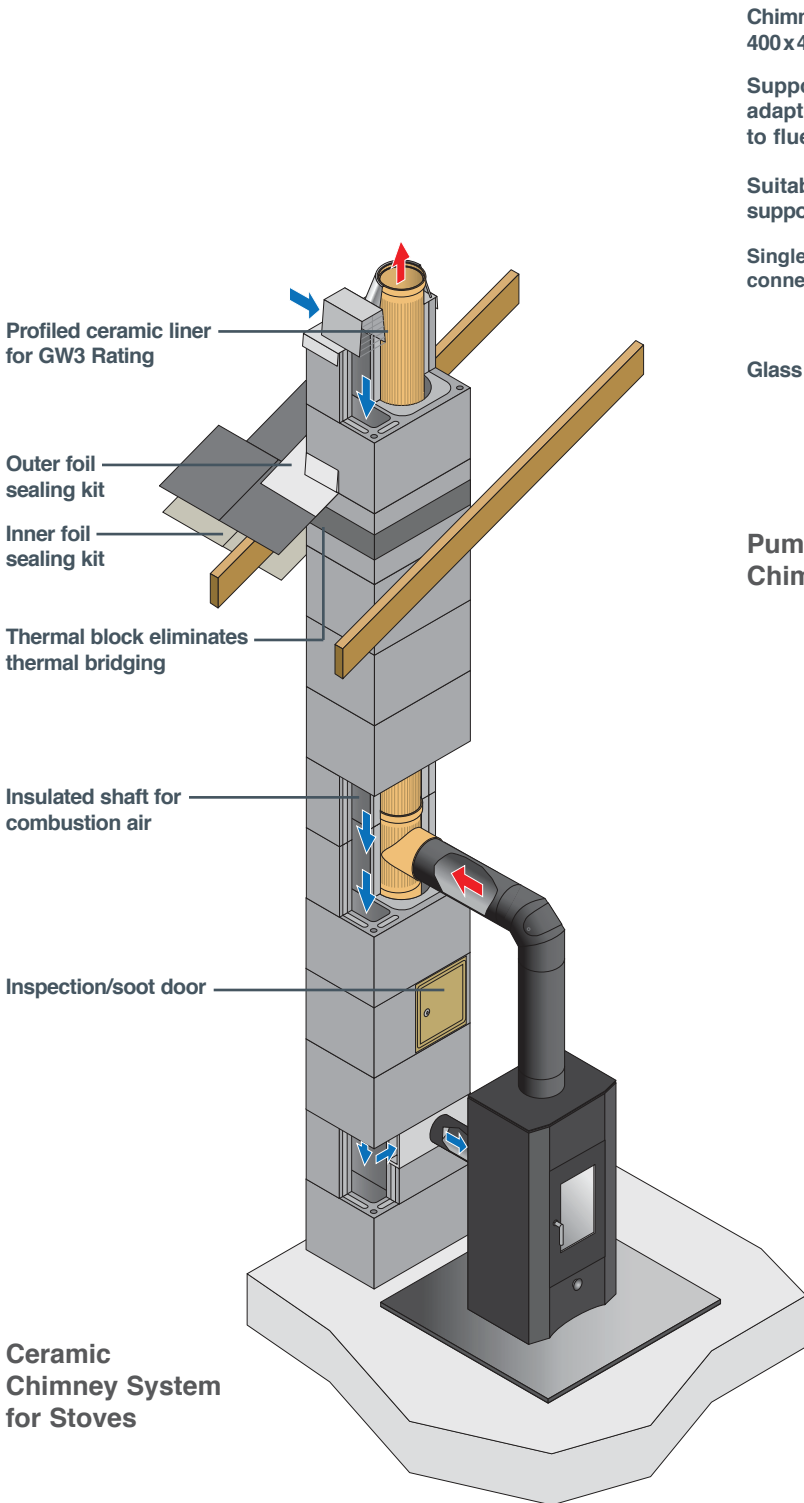


Stove Recess

Installations shown are by way of illustration only. Manufacturer's installation instructions should always be consulted before installation.

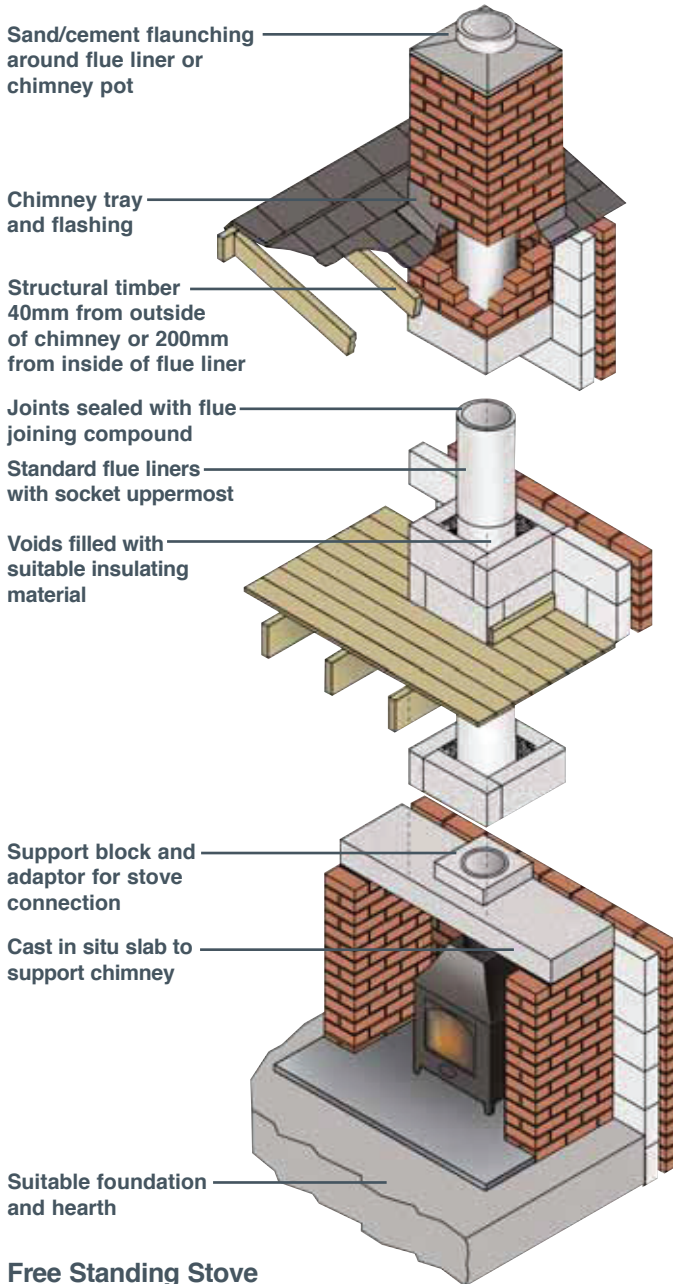
Wood Burning & Multi Fuel Stoves

Clay Concrete & Pumice - Chimney Systems

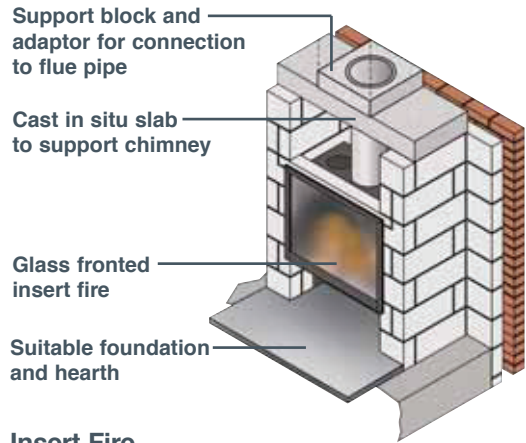


Wood Burning & Multi Fuel Stoves

Clay Concrete & Pumice - Liners



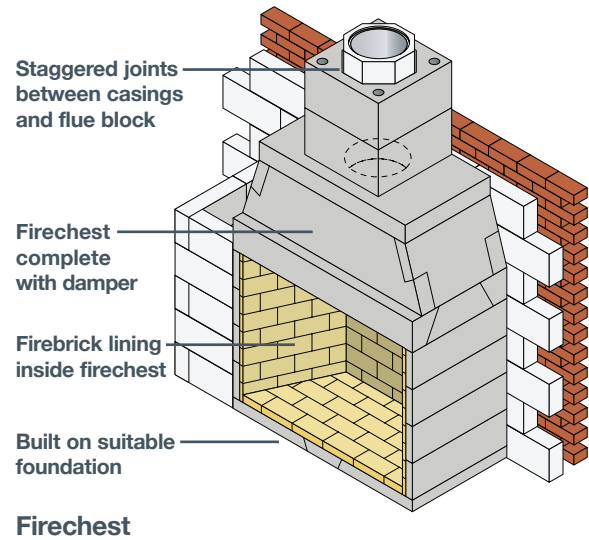
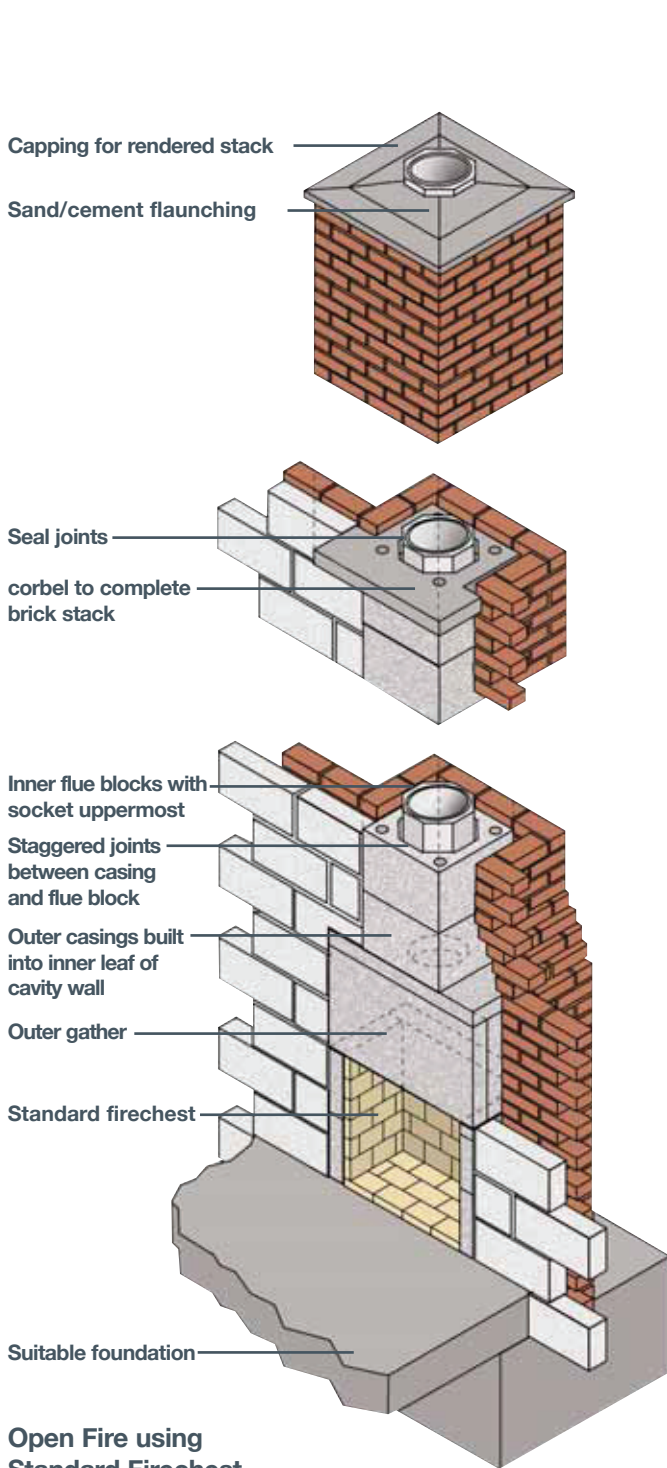
Continue to build chimney as in free standing stove



Insert Fire

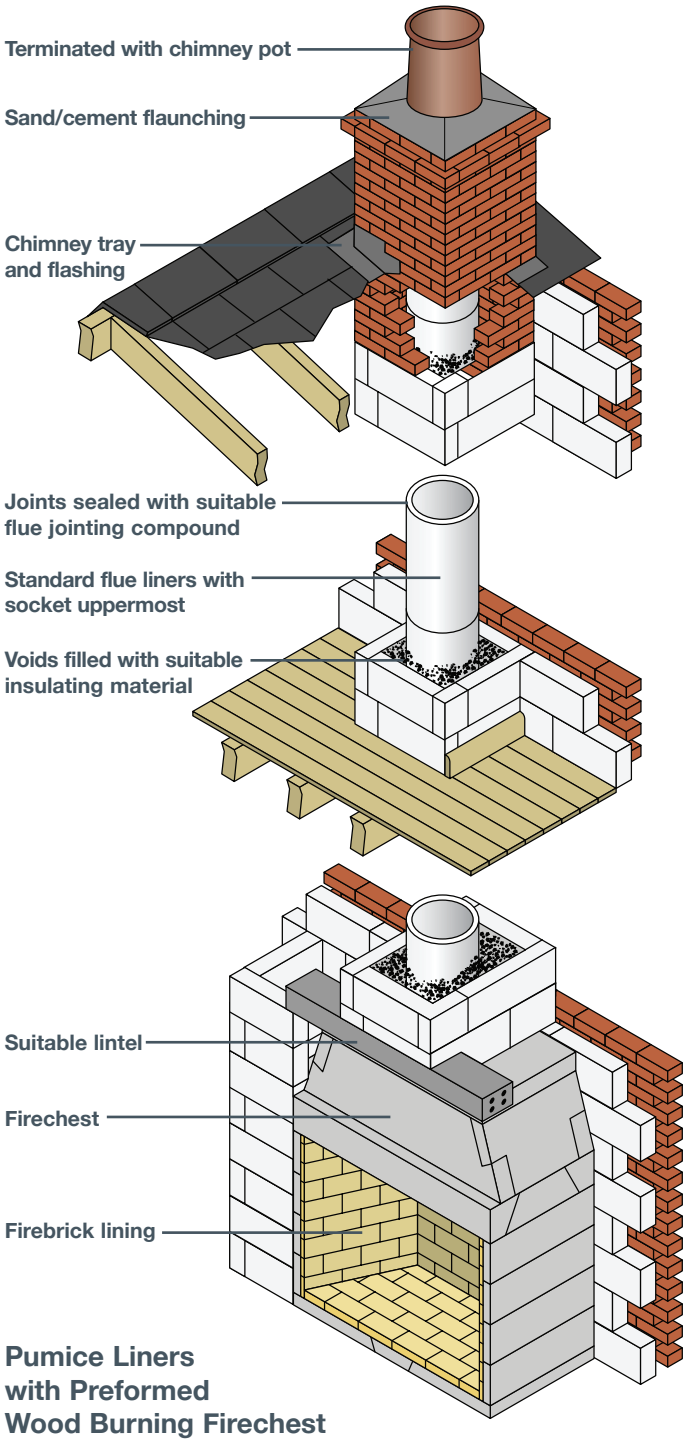
Open Fires

Clay Concrete & Pumice - Chimney Systems

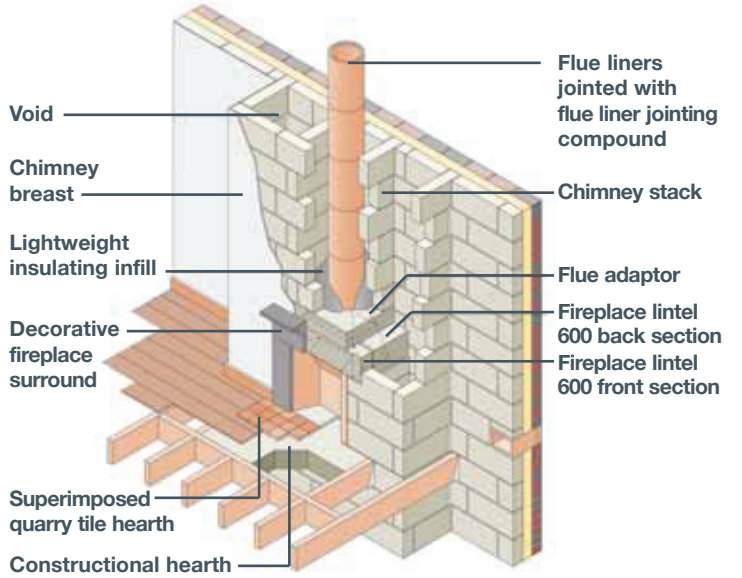


Open Fires

Clay Concrete & Pumice - Liners



Pumice Liners with Preformed Wood Burning Firechest



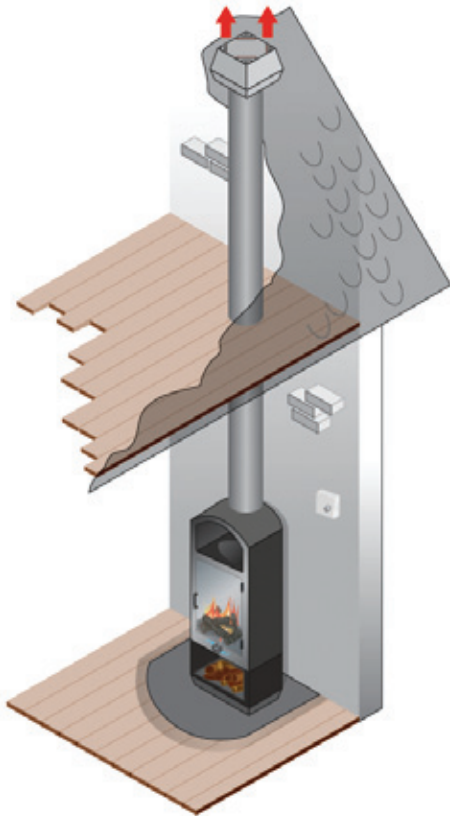
Standard Methodology for Clay, Concrete & Pumice Liners

Installations shown are by way of illustration only. Manufacturer's installation instructions should always be consulted before installation.

Drawings courtesy of Schiedel Chimney Systems except Standard Methodology for Clay, Concrete & Pumice Liners; courtesy of Wavin.

Wood Burning & Multi Fuel Appliances

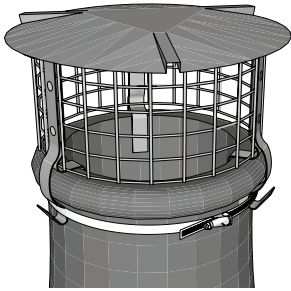
Chimney Fan System



Installations shown are by way of illustration only. Manufacturer's installation instructions should always be consulted before installation.

Examples of Terminals

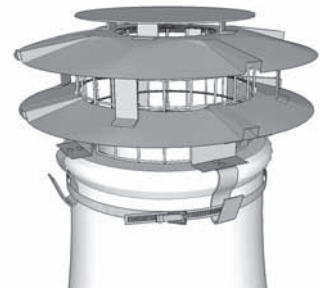
Examples of Stainless Steel Terminals, Birdguards & Anti-Downdraught Terminals



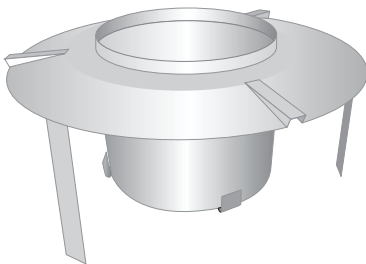
**Birdguard
fitted to Chimney Pot**



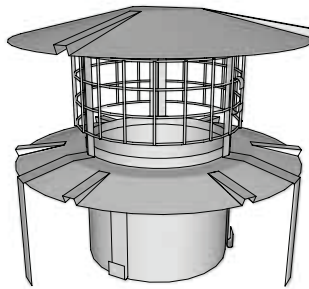
**Raincap
fitted to Chimney Pot**



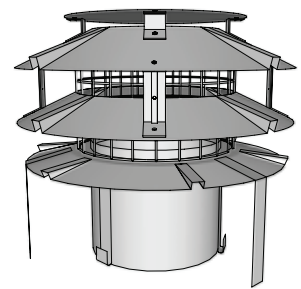
**Solid Fuel Anti-Downdraught
fitted to Chimney Pot
(with or without mesh)**



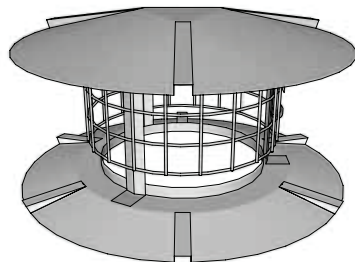
**Pot Hanger
fitted to Twin Wall Flexible Liner**



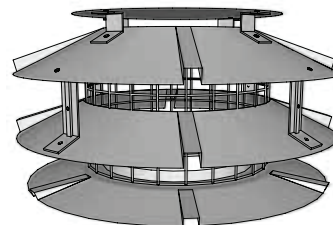
**Birdguard Pot Hanger
fitted to Twin Wall Flexible Liner
(with or without mesh)**



**Anti-Downdraught Pot Hanger
fitted to Twin Wall Flexible Liner
(with or without mesh)**



**Birdguard
fitted to Twin Wall System
(with or without mesh)**



**Anti-Downdraught
fitted to Twin Wall System
(with or without mesh)**

Installations shown are by way of illustration only. Manufacturer's installation instructions should always be consulted before installation.

List of Members

Brewer Metalcraft

Units C & D,
Ford Lane Industrial Estate,
Ford, Arundel,
West Sussex,
BN18 0DF,
T: 01243 539 639
E: sales@brewercowls.co.uk
www.brewercowls.co.uk

Midtec Products Ltd

Unit 3B Clos Fferws,
Capel Hendre,
Ammanford,
Wales,
SA18 3BL,
T: 01269 505 715
F: 01269 505 710
E: sales@midtec.co.uk
www.midtec.co.uk

Schiedel Chimney Systems

Crowther Estate, Washington,
Tyne & Wear,
NE38 0AQ
Schiedel Rite-Vent
T: 0191 416 1150
Schiedel Isokern
T: 01202 861650
E: info.uk@schiedel.com
www.schiedel.com/uk

Exodraft

10 Crestway,
Tarleton,
Preston,
PR4 6BE,
T: 01494 465166
E: info@exodraft.co.uk
www.exodraft.co.uk

Midtherm Flue Systems

Kirklands Estate,
New Road,
Netherton,
Dudley,
West Midlands,
DY2 8SY,
T: 01384 458800
E: sales@midtherm.net
www.midtherm.co.uk

SFL Flues & Chimneys

Pottington Business Park,
Barnstaple,
Devon,
EX31 1LZ,
T: 01271 326633
E: info@sflchimneys.com
www.sflchimneys.com

Forterra Building Products

Atherstone Road,
Measham,
Swadlincote,
Derbyshire,
DE12 7EL,
T: 01530 273737
E: redbanksales@forterra.co.uk
www.forterra.co.uk

Mi-Flues

Spiro House,
Cocker Avenue,
Poulton Business Park,
Poulton-Le-Fylde,
Lancashire,
FY6 8JU,
T: 01253 600060
E: sales@mi-flues.com
www.mi-flues.com

Wavin Hepworth Terracotta

Edlington Lane,
Edlington,
Doncaster,
South Yorkshire,
DN12 1BY,
T: 0844 856 5152
E: customerservices@wavin.co.uk
www.wavin.co.uk

Jeremias UK

Unit 2-4, Long Stoop Way,
Sovereign Court
Crown Farm Industrial Estate,
Forest Town,
Mansfield
NG19 0FQ,
T: 01623 889219
E: info@jeremias-fluesystems.co.uk
www.jeremias-fluesystems.co.uk

Premier Flue

Crossley Works, Stockfield Mount,
Off Peel Street, Chadderton,
Oldham,
Lancashire,
OL9 9LR,
T: 0161 678 2998
E: sales@peremierflue.co.uk
www.premierflue.co.uk

W.T. Knowles & Sons

Ash Grove Pipe Works,
Elland,
West Yorkshire,
HX5 9JA,
T: 01422 372 833
E: sales@wtknowles.co.uk
www.wtknowles.co.uk

M&G Group Europe Ltd

2 The Oaks,
Mill Farm Courtyard,
Beachampton,
MK19 6DS,
T: 01908 569887
E: info@mg-group.com
www.mg-group.com

Poujoulat (UK)

Unit 1, Quadrum Park,
Old Portsmouth Road,
Guildford,
Surrey,
GU3 1LU,
T: 01483 461700
E: sales@poujoulat.co.uk
www.poujoulat.co.uk